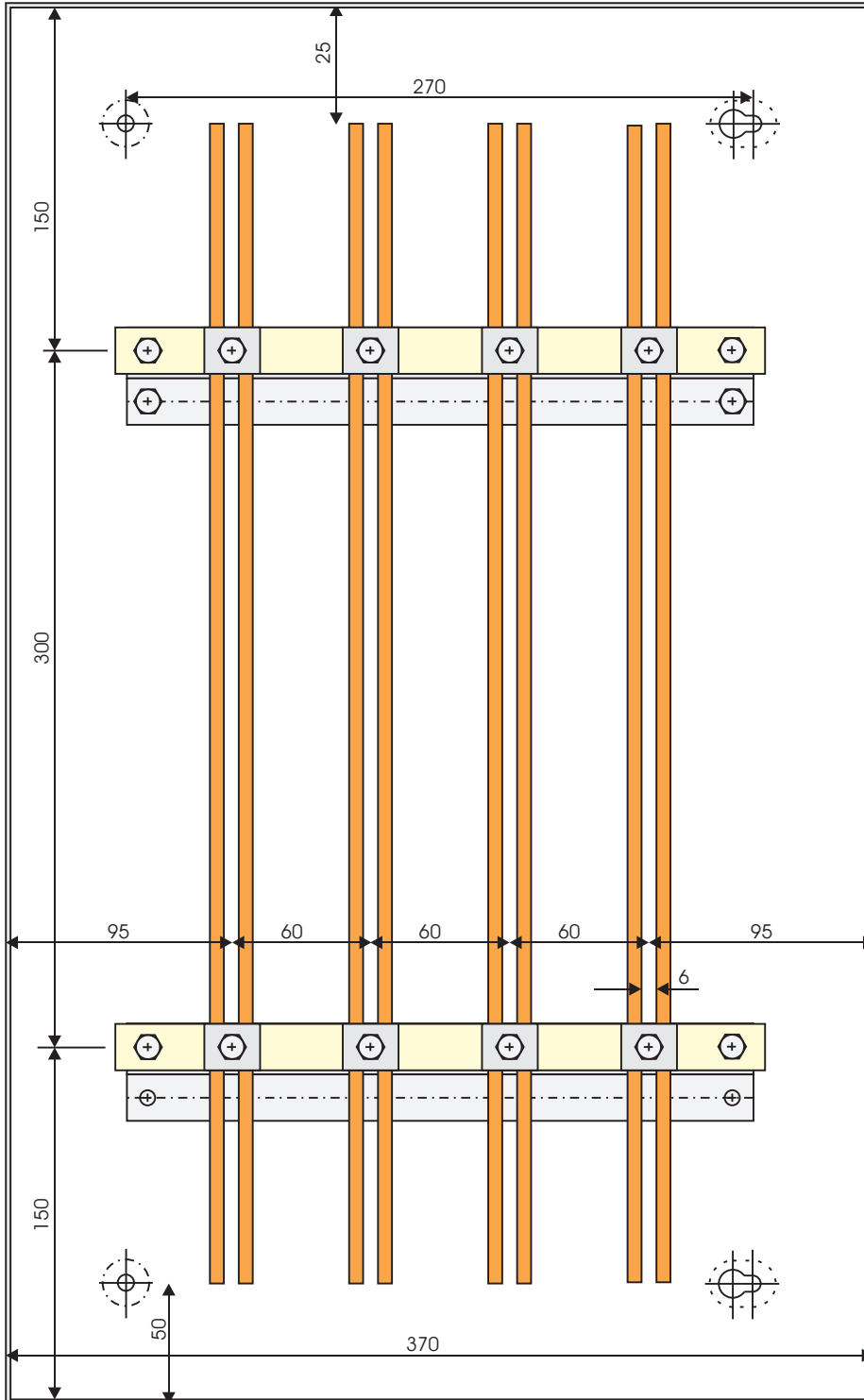


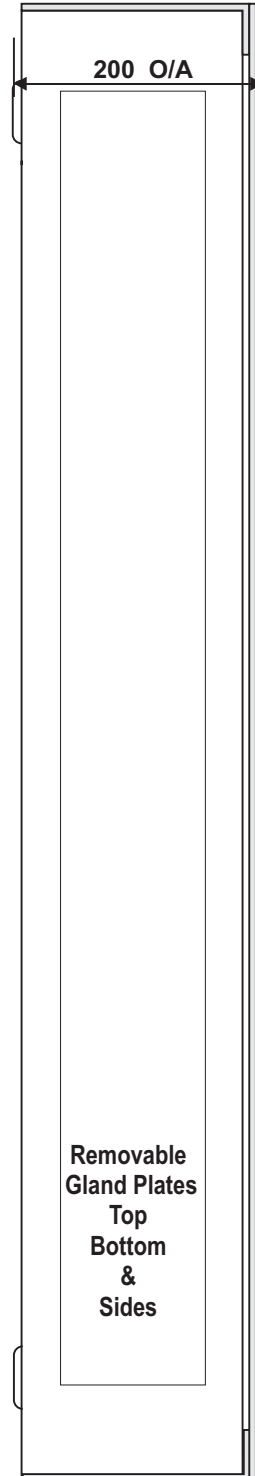


BusBar Chamber's

200A to 800A



Plan View



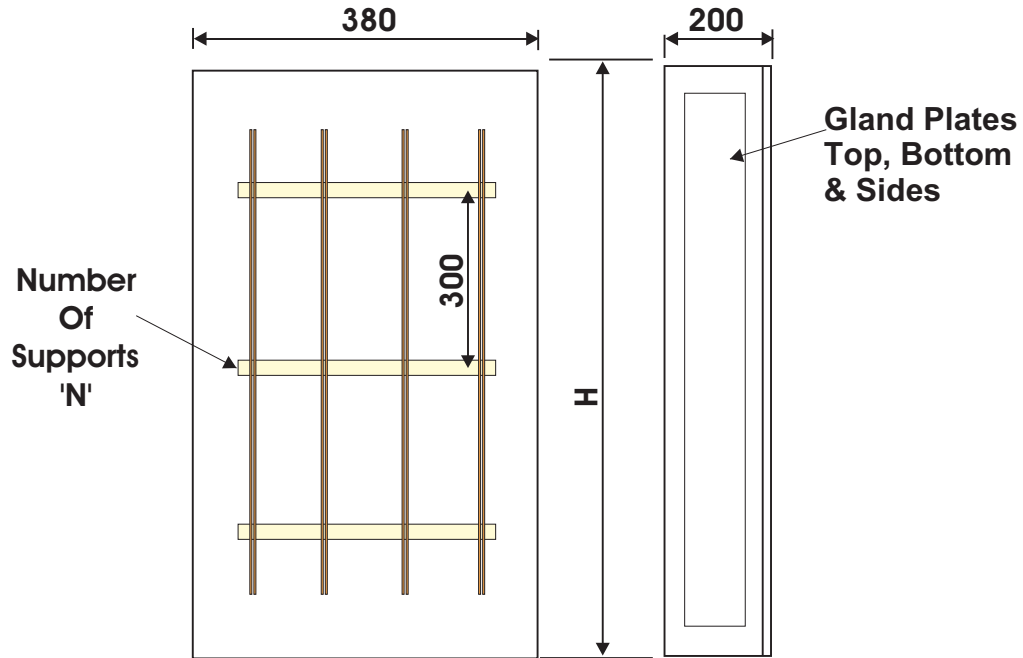
Side View

Removable
Gland Plates
Top
Bottom
&
Sides

See Over For Options



BusBar Dimensions



Code	200A	400A	630A	800A	H	N
PBB	20/6	40/6	63/6	80/6	600	2
PBB	20/9	40/9	63/9	80/9	900	3
PBB	20/12	40/12	63/12	80/12	1200	4
PBB	20/18	40/18	63/18	80/18	1800	5
PBB	20/21	40/21	63/21	80/21	2100	6

Cable Claps for the above BusBars also available as follows.

PBCT1	Lug connection up to 50mm(6 dia hole)	200A
PBCT2	Lug connection up to 70mm(8 dia hole)	200A
PBCT3/200	Lug connection up to 240mm(12 dia hole)	200A
PBCT4	Lug connection up to 50mm(6 dia hole)	400A
PBCT5	Lug connection up to 70mm(8 dia hole)	630A
PBCT3	Lug connection up to 240mm(12 dia hole)	800A

Note Cable Claps Not Included With BusBars.