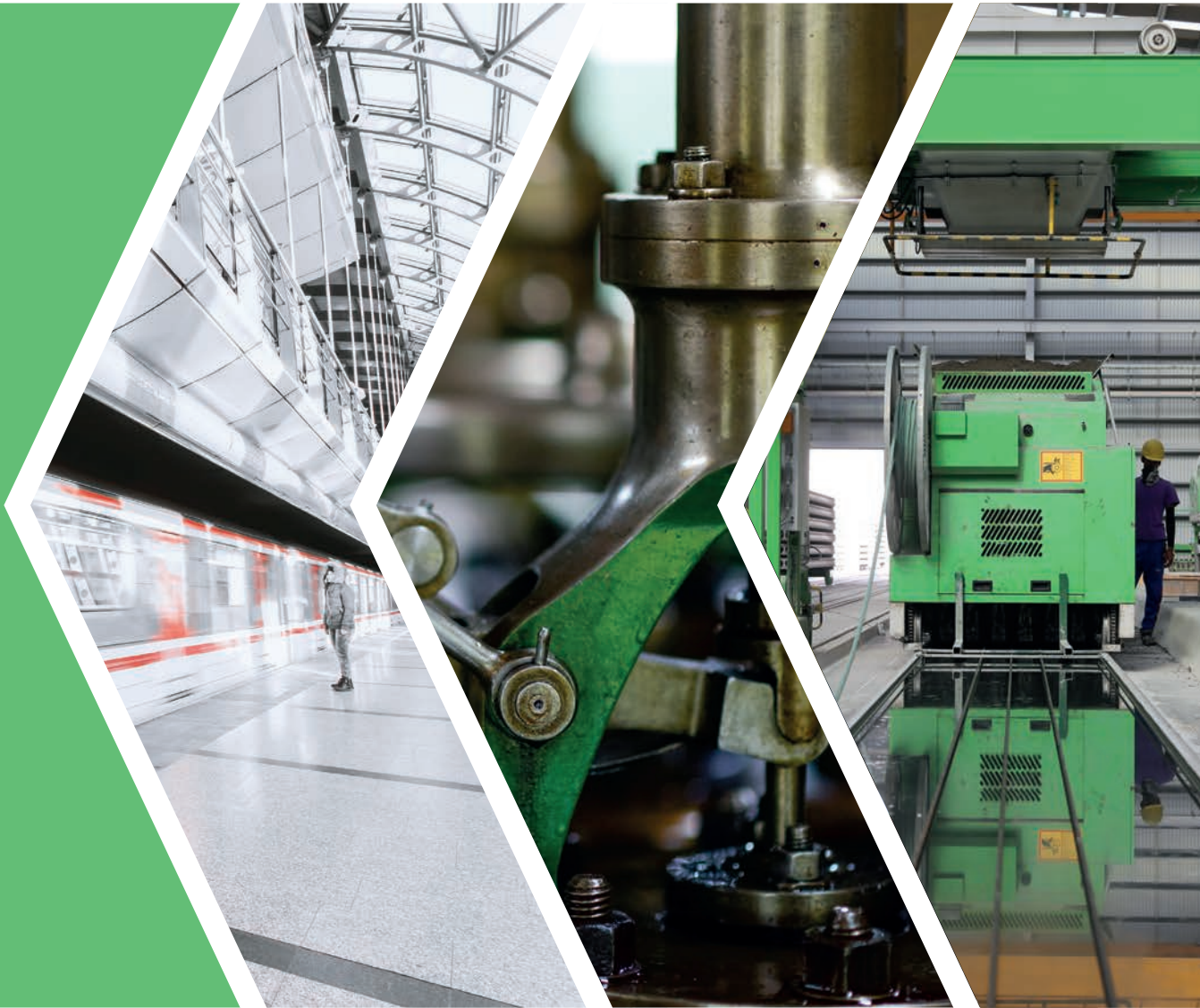


SWITCHGEAR

2022 / 2023



SWITCH DISCONNECTORS
FUSED SWITCHES
SWITCH FUSES
MANUAL CHANGEOVER SWITCHES
BUSBAR CHAMBERS

Welcome

Welcome to our 2022/23 Switchgear product guide which highlights some of the vast range of Switchgear that can be supplied by Protek Electronics.

We have further expanded the detailed information relating to our products which should make choosing the right product even easier. Where possible, we have also included dimensions and technical specifications for our Switchgear that uses **ABB** switch technology.

Can't see what you are looking for? Please contact us to discuss your requirements.



Dominic Spatola
National Sales Manager.
Dominic.spatola@protekuk.co.uk
07854 798745

Tel:	01543 46 75 75	Orders:	orders@protekuk.co.uk
Fax:	01543 46 23 70	Quotes:	sales@protekuk.co.uk
Post:	Protek Electronics Limited Phoenix House Phoenix Road Cannock Staffordshire WS11 7LR	Web:	www.protekuk.co.uk

Range	Enclosed Isolators	Page
AASIS	Compact metal TP&N and 4 pole rotary switch disconnectors	3
AABIS	Compact metal 4 pole rotary switch disconnectors featuring ABB technology	4
ABIS	Heavy duty metal 4 pole rotary switch disconnectors featuring ABB technology	5
ROTIP	Compact plastic 2 pole, TP&N and 4 pole rotary switch disconnectors	7
Range	Enclosed Fused Switches	Page
A3MFS	Compact metal SP&N in-line fused switches	8
AASLS	Compact metal TP&N and 4 pole rotary in-line fused switches	9
ABLS	Heavy duty 4 pole rotary in-line fused switches featuring ABB technology	10
Range	Enclosed Switch Fuses	Page
ABFS	Heavy duty 4 pole rotary switch fuses featuring ABB technology	12
Range	Enclosed Changeover Switches	Page
ABSCO	Heavy duty 4 pole rotary manual changeover switches featuring ABB technology	14
Range	Enclosed Busbar Chambers and Accessories	Page
PBB	Wall mountable metal 4 pole busbar chambers	16
PBCT / DBC	Clamps to suit Protek 4 pole busbar chambers	17
Range	Switchgear Accessories	Page
MIP	Metal cable boxes / extension boxes to suit Protek switchgear	18
RCT	Metal rain canopies to suit Protek switchgear	19
Range	Technical Information	Page
AABIS	Dimensional drawings and technical specifications	21-22
ABIS	Dimensional drawings and technical specifications	23-25
ABFS	Dimensional drawings and technical specifications	26-29
ABSCO	Dimensional drawings and technical specifications	30-34

AASIS Compact Rotary Switch Disconnectors

20A to 125A

Compact TP&N and 4 pole IP55 metal rotary switch disconnectors. Designed and built in the UK to BS EN 61439.



Enclosure Specification

- Sheet steel (EN 10130 DC01)
 - Body : 1.2 / 1.5 mm
 - Door : 1.2 / 1.5 mm
- RAL 7035w powder coating
- Galvanized steel (EN 10346 DX51D+Z)
 - Mounting Plate : 1.5 - 2 mm
- IP66 Rated enclosure (TS 3033, EN 60529)
- IP55 Rotary interlock handle lockable In OFF position
- Fully welded construction
- Foamed-in door PU sealing gasket
- Solid top and bottom gland plates with PE gasket
- 5 mm Double-bit insert polyamide lock
- Removable door
- Earth terminals fitted
- Wall mountable

Switch Specification

- 20A - 125A AC1
- TP&N - Solid neutral
- 4 Pole - Switched neutral
- Voltage rating 400/415V AC
- On-load AC21 rated
- Terminal clamp connections
- Incoming mains supply from top **OR** bottom
- IP20 Terminals

Product Code	Rating	Format	440V AC23	Max Cable Size	Height (mm)	Width (mm)	Depth (mm)
AASIS0203T	20A	TP&N	5.5 Kw	10 mm ²	300	200	150
AASIS0323T	32A	TP&N	11 Kw	10 mm ²	300	200	150
AASIS0633T	63A	TP&N	22 Kw	10 mm ²	300	200	150
AASIS1003T	100A	TP&N	37 Kw	35 mm ²	300	200	150

Product Code	Rating	Format	440V AC23	Max Cable Size	Height (mm)	Width (mm)	Depth (mm)
AASIS0204T	20A	4 Pole	5.5 Kw	10 mm ²	300	200	150
AASIS0324T	32A	4 Pole	11 Kw	10 mm ²	300	200	150
AASIS0634T	63A	4 Pole	22 Kw	10 mm ²	300	200	150
AASIS1004T	100A	4 Pole	37 Kw	35 mm ²	300	200	150
AASIS1254T	125A	4 Pole	55 Kw	35 mm ²	300	200	150

AABIS Compact Rotary Switch Disconnectors

20A to 100A

Compact 4 pole IP65 metal rotary switch disconnectors featuring **ABB** technology. Designed and built in the UK to BS EN 61439.



Enclosure Specification

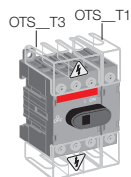
- Sheet steel (EN 10130 DC01)
 - Body : 1.2 / 1.5 mm
 - Door : 1.2 / 1.5 mm
- RAL 7035w powder coating
- Galvanized steel (EN 10346 DX51D+Z)
 - Mounting Plate : 1.5 - 2 mm
- IP66 Rated enclosure (TS 3033, EN 60529)
- IP65 Rated **ABB** handle lockable in the OFF position
- Fully welded construction
- Foamed-in door PU sealing gasket
- Solid top and bottom gland plates with PE gasket
- 5 mm Double-bit insert polyamide lock
- Removable door
- Earth terminals fitted
- Wall mountable

Switch Specification

- 4 Pole - Switched neutral
- Voltage rating 400/415V AC
- On-load AC23 rated
- Terminal clamp connections
- Incoming mains supply from top **OR** bottom
- Internally rated IP20 terminals
- Supplied with safety handle which can be defeated to allow for emergency opening or for testing purposes (Must be carried out by a competent person)
- More in-depth technical data is available on pages 21-22

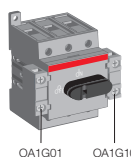
Product Code	Rating	Format	Max Cable Size	Height (mm)	Width (mm)	Depth (mm)
AABIS0204T	20A	4 Pole	0.75...10 mm ²	300	200	150
AABIS0324T	32A	4 Pole	0.75...10 mm ²	300	200	150
AABIS0634T	63A	4 Pole	1.5...35 mm ²	300	200	150
AABIS1004T	100A	4 Pole	10...70 mm ²	300	200	150

AABIS Optional Shrouds



Product Code	Rating	Shroud Product Code	Quantity Req. to Shroud 1 Side
AABIS0204T	20A	OTS40T3 + OTS40T1	1 + 1
AABIS0324T	32A	OTS40T3 + OTS40T1	1 + 1
AABIS0634T	63A	OTS63T3 + OTS63T1	1 + 1
AABIS1004T	100A	OTS125T3 + OTS125T1	1 + 1

AABIS Optional Auxiliary Contacts



Product Code	Rating	Aux Contacts Normally Open	Aux Contacts Normally Closed
AABIS0204T	20A	OA1G10	OA1G01
AABIS0324T	32A	OA1G10	OA1G01
AABIS0634T	63A	OA1G10	OA1G01
AABIS1004T	100A	OA1G10	OA1G01

ABIS Heavy Duty Rotary Switch Disconnectors

63A to 800A

Heavy duty 4 pole IP65 metal rotary switch disconnectors featuring **ABB** technology. Designed and built in the UK to BS EN 61439.



Enclosure Specification

- Sheet steel (EN 10130 DC01)
 - Body : 1.2 / 1.5 mm
 - Door : 1.2 / 1.5 mm
- RAL 7035w powder coating
- Galvanized steel (EN 10346 DX51D+Z)
 - Mounting Plate : 1.5 - 2 mm
- IP66 Rated enclosure (TS 3033, EN 60529)
- IP65 Rated **ABB** handle lockable in the OFF position
- Fully welded construction
- Foamed-in door PU sealing gasket
- Solid top and bottom gland plates with PE gasket
- 5 mm Double-bit insert polyamide lock
- Removable door
- Earth terminals fitted
- Wall mountable
- Extension boxes are available. Please see page 18
- Rain canopies are available. Please see page 19

Switch Specification

- 4 Pole - Switched neutral
- Voltage rating 400/415V AC
- AC23 rated
- Lug terminal connections
- Incoming mains supply from top **OR** bottom
- Shields provided for incoming side as standard
- Supplied with safety handle which can be defeated to allow for emergency opening or for testing purposes (Must be carried out by a competent person)
- More in-depth technical data is available on pages 23-25

Product Code	Rating	Format	Terminal Bolt Size	Terminal Palm Width	Height (mm)	Width (mm)	Depth (mm)
ABIS0634T	63A	4 Pole	M8x25 mm	20 mm	400	300	200
ABIS0804T	80A	4 Pole	M8x25 mm	20 mm	400	300	200
ABIS1004T	100A	4 Pole	M8x25 mm	20 mm	400	300	200
ABIS1254T	125A	4 Pole	M8x25 mm	20 mm	500	300	200
ABIS1604T	160A	4 Pole	M8x25 mm	20 mm	500	400	200
ABIS2004T	200A	4 Pole	M8x25 mm	20 mm	500	400	200
ABIS2504T	250A	4 Pole	M8x25 mm	20 mm	500	400	200
ABIS3154T	315A	4 Pole	M10x30 mm	25 mm	600	400	200
ABIS4004T	400A	4 Pole	M10x30 mm	25 mm	600	400	200
ABIS6304T	630A	4 Pole	M12x40 mm	39 mm	800	600	300
ABIS8004T	800A	4 Pole	M12x40 mm	39 mm	1000	600	300

ABIS Heavy Duty Rotary Switch Disconnectors

Accessories



ABIS Optional Shrouds

Product Code	Rating	Shroud Product Code	Quantity Req. to Shroud 1 Side
ABIS0634T	63A	OTS250G1L/4	1 (Pack of 4)
ABIS0804T	80A	OTS250G1L/4	1 (Pack of 4)
ABIS1004T	100A	OTS250G1L/4	1 (Pack of 4)
ABIS1254T	125A	OTS250G1L/4	1 (Pack of 4)
ABIS1604T	160A	OTS250G1L/4	1 (Pack of 4)
ABIS2004T	200A	OTS250G1L/4	1 (Pack of 4)
ABIS2504T	250A	OTS250G1L/4	1 (Pack of 4)
ABIS3154T	315A	OTS400G1L/4	1 (Pack of 4)
ABIS4004T	400A	OTS400G1L/4	1 (Pack of 4)
ABIS6304T	630A	OTS800G1L/4	1 (Pack of 4)
ABIS8004T	800A	OTS800G1L/4	1 (Pack of 4)



ABIS Auxiliary Contacts

Product Code	Rating	Aux Contacts Normally Open	Aux Contacts Normally Closed
ABIS0634T	63A	OA1G10	OA3G01
ABIS0804T	80A	OA1G10	OA3G01
ABIS1004T	100A	OA1G10	OA3G01
ABIS1254T	125A	OA1G10	OA3G01
ABIS1604T	160A	OA1G10	OA3G01
ABIS2004T	200A	OA1G10	OA3G01
ABIS2504T	250A	OA1G10	OA3G01
ABIS3154T	315A	OA1G10	OA3G01
ABIS4004T	400A	OA1G10	OA3G01
ABIS6304T	630A	OA1G10	OA3G01
ABIS8004T	800A	OA1G10	OA3G01



ABIS Optional Extension Boxes

Product Code	Rating	Cable Box	Gasket	Height (mm)	Width (mm)	Depth (mm)
ABIS0634T	63A	MIP3320T	PGZ3020T	300	300	200
ABIS0804T	80A	MIP3320T	PGZ3020T	300	300	200
ABIS1004T	100A	MIP3320T	PGZ3020T	300	300	200
ABIS1254T	125A	MIP3320T	PGZ3020T	300	300	200
ABIS1604T	160A	MIP4420T	PGZ4020T	300	300	200
ABIS2004T	200A	MIP4420T	PGZ4020T	400	400	200
ABIS2504T	250A	MIP4420T	PGZ4020T	400	400	200
ABIS3154T	315A	MIP4420T	PGZ4020T	400	400	200
ABIS4004T	400A	MIP4420T	PGZ4020T	400	400	200
ABIS6304T	630A	MIP6630T	PGZ6030T	600	600	300
ABIS8004T	800A	MIP6630T	PGZ6030T	600	600	300

For more information please see page 18

ROTIP Compact Rotary Isolators

20A to 125A

Compact 2 pole, TP&N and 4 pole IP65 plastic rotary isolators assembled in the UK to BS EN 61439.



Enclosure Specification

- IP65 to BSEN 60529
- Base ABS, lid Polystyrol (both flame retardant)
- One size enclosure
- Gasket-less seal
- No need to remove handle to open unit
- Ample cable space
- Wall mountable
- No pre-punched knockouts allowing any size of gland to be fitted. Caps for screws to ensure IP65 after installation (assuming glanding is sealed correctly)

Switch Specification

- 20 - 125A
- 2 Pole, TP&N and 4 Pole
- Load break / load make
- Terminal clamp connections
- Incoming mains supply from top **OR** bottom
- Internally rated IP20 terminals

Product Code	Rating	Format	Max Cable Size	Height (mm)	Width (mm)	Depth (mm)
ROT220IP	20A	2 Pole	25 mm	195	115	120
ROT232IP	32A	2 Pole	25 mm	195	115	120
ROT263IP	63A	2 Pole	25 mm	195	115	120
ROT280IP	80A	2 Pole	25 mm	195	115	120
ROT2100IP	100A	2 Pole	25 mm	195	115	120
ROT2125IP	125A	2 Pole	25 mm	195	115	120

Product Code	Rating	Format	Max Cable Size	Height (mm)	Width (mm)	Depth (mm)
ROT320IP	20A	TP&N	25 mm	195	115	120
ROT332IP	32A	TP&N	25 mm	195	115	120
ROT363IP	63A	TP&N	25 mm	195	115	120
ROT380IP	80A	TP&N	25 mm	195	115	120
ROT3100IP	100A	TP&N	25 mm	195	115	120
ROT3125IP	125A	TP&N	25 mm	195	115	120

Product Code	Rating	Format	Max Cable Size	Height (mm)	Width (mm)	Depth (mm)
ROT420IP	20A	4 Pole	25 mm	195	115	120
ROT432IP	32A	4 Pole	25 mm	195	115	120
ROT463IP	63A	4 Pole	25 mm	195	115	120
ROT480IP	80A	4 Pole	25 mm	195	115	120
ROT4100IP	100A	4 Pole	25 mm	195	115	120
ROT4125IP	125A	4 Pole	25 mm	195	115	120

A3MFS Compact In-Line Fused Switches

63A to 100A

Compact SP&N Amendment 3 metal IP40 in-line fused switches. Designed and built in the UK to BS EN 61439.



Enclosure Specification

- Amendment 3
- 1.2 mm Sheet steel construction
- RAL 9010 powder coating
- Hinged flap for ease of access
- Wall mountable
- Various knock-outs on all sides

Switch Specification

- Voltage rating 230V AC1
- Double pole isolation for both live and neutral
- 35mm² Max cable size
- Load break / load make
- IP20 Terminal clamp connections
- Supplied with fuses as standard
- Incoming cable connects to isolator, outgoing from fuse carrier and neutral terminal

Product Code	Rating	Format	Max Cable Size	Height (mm)	Width (mm)	Depth (mm)
A3MFS163	63A	SP&N	35 mm ²	235	125	105
A3MFS180	80A	SP&N	35 mm ²	235	125	105
A3MFS1100	100A	SP&N	35 mm ²	235	125	105

Criteria	2 Pole Isolator	Fuse Carrier
Applicable standards	IEC60947-3	IEC 60269-2 and IEC 60947-3 Compliance
IP rating	IP20	IP20
Certification / approvals	Semko, UKCA, CE	TUV, UKCA, CE
Modular width	36mm	36mm
Max current rating	100A	100A
Utilisation category	AC22B	AC20B/DC20B
Max terminal capacity	35mm ²	35mm ²
Recommended torque	2.5Nm	4Nm (35lbs.-in)
		Rigid wire = 1.5-50mm ² (16-1AWG)
		Multistrand wire = 35mm ² (3AWG)
		PZ2 or flat 6.5x1.2mm screw drivers recommended (max. diameter 7mm)

AASLS Compact Rotary Fused Switches

20A to 100A

Compact TP&N and 4 pole IP55 metal rotary fused switches assembled in the UK to BS EN 61439.



Enclosure Specification

- Sheet steel (EN 10130 DC01)
Body : 1.2 / 1.5 mm
Door : 1.2 / 1.5 mm
- RAL 7035w powder coating
- Galvanized steel (EN 10346 DX51D+Z)
Mounting Plate : 1.5 - 2 mm
- IP66 Rated enclosure (TS 3033, EN 60529)
- IP55 Rated handle lockable in the OFF position
- Fully welded construction
- Foamed-in door PU sealing gasket
- Solid top and bottom gland plates with PE gasket
- 5 mm Double-bit insert polyamide lock
- Removable door
- Earth terminals fitted
- Wall mountable
- Extension boxes are available. Please see page 18
- Rain canopies are available. Please see page 19

Switch Specification

- TP&N - Solid neutral
- 4 Pole - Switched neutral
- Voltage rating 400/415V AC
- On-load AC21 rated
- Incoming mains supply from the top. Outgoing from bottom
- Supplied with fuses as standard

Product Code	Rating	Format	Max Cable Size In	Max Cable Size Out	Height (mm)	Width (mm)	Depth (mm)
AASLS0203T	20A	TP&N	10 mm ²	16 mm ²	300	200	150
AASLS0323T	32A	TP&N	10 mm ²	16 mm ²	300	200	150
AASLS0633T	63A	TP&N	10 mm ²	50 mm ²	400	300	200
AASLS0803T	80A	TP&N	35 mm ²	50 mm ²	500	300	200
AASLS1003T	100A	TP&N	35 mm ²	50 mm ²	500	300	200

Product Code	Rating	Format	Max Cable Size In	Max Cable Size Out	Height (mm)	Width (mm)	Depth (mm)
AASLS0204T	20A	4 Pole	10 mm ²	10 mm ²	300	200	150
AASLS0324T	32A	4 Pole	10 mm ²	10 mm ²	300	200	150
AASLS0634T	63A	4 Pole	10 mm ²	50 mm ²	400	300	200
AASLS0804T	80A	4 Pole	35 mm ²	50 mm ²	500	300	200
AASLS1004T	100A	4 Pole	35 mm ²	50 mm ²	500	300	200

ABLS Heavy Duty Rotary Fused Switches

63A to 250A

Heavy duty 4 pole metal IP65 rotary fused switches featuring **ABB** technology. Designed and built in the UK to BS EN 61439.



Enclosure Specification

- Sheet steel (EN 10130 DC01)
 - Body : 1.2 / 1.5 mm
 - Door : 1.2 / 1.5 mm
- RAL 7035w powder coating
- Galvanized steel (EN 10346 DX51D+Z)
 - Mounting Plate : 1.5 - 2 mm
- IP66 Rated enclosure (TS 3033, EN 60529)
- IP65 Rated **ABB** handle lockable in the OFF position
- Fully welded construction
- Foamed-in door PU sealing gasket
- Solid top and bottom gland plates with PE gasket
- 5 mm Double-bit insert polyamide lock
- Removable door
- Earth terminals fitted
- Wall mountable
- Extension boxes are available. Please see page 18
- Rain canopies are available. Please see page 19

Switch Specification

- 4 Pole - Switched neutral
- Voltage rating 400/415V AC
- On-load AC23 rated
- Lug terminal connections
- Incoming mains supply from the top. Outgoing from bottom
- Supplied with fuses as standard
- Shields provided for incoming side as standard
- Supplied with safety handle which can be defeated to allow for emergency opening or for testing purposes (Must be carried out by a competent person)

Product Code	Rating	Format	Terminal Bolt Size IN	Terminal Palm Width IN	Terminal Bolt Size OUT	Terminal Palm Width OUT	Height (mm)	Width (mm)	Depth (mm)
ABLS0634T	63A	4 Pole	M8x25 mm	20 mm	M8x20 mm	20 mm	600	400	200
ABLS0804T	80A	4 Pole	M8x25 mm	20 mm	M8x20 mm	20 mm	600	400	200
ABLS1004T	100A	4 Pole	M8x25 mm	20 mm	M8x20 mm	20 mm	600	400	200
ABLS1254T	125A	4 Pole	M8x25 mm	20 mm	M8x20 mm	20 mm	600	400	200
ABLS1604T	160A	4 Pole	M8x25 mm	20 mm	M8x20 mm	20 mm	600	400	200
ABLS2004T	200A	4 Pole	M8x25 mm	20 mm	M8x20 mm	20 mm	600	400	200
ABLS2504T	250A	4 Pole	M8x25 mm	20 mm	M8x20 mm	20 mm	600	400	200

ABLS Heavy Duty Rotary Fused Switches

Accessories



ABLS Optional Shrouds. Incoming Side Only

Product Code	Rating	Shroud Product Code	Qty Req. to Shroud Incoming Side
ABLS0634T	63A	OTS250G1L/4	1 (Pack of 4)
ABLS0804T	80A	OTS250G1L/4	1 (Pack of 4)
ABLS1004T	100A	OTS250G1L/4	1 (Pack of 4)
ABLS1254T	125A	OTS250G1L/4	1 (Pack of 4)
ABLS1604T	160A	OTS250G1L/4	1 (Pack of 4)
ABLS2004T	200A	OTS250G1L/4	1 (Pack of 4)
ABLS2504T	250A	OTS250G1L/4	1 (Pack of 4)



ABLS Auxiliary Contacts

Product Code	Rating	Aux Contacts Normally Open	Aux Contacts Normally Closed
ABLS0634T	63A	OA1G10	OA3G01
ABLS0804T	80A	OA1G10	OA3G01
ABLS1004T	100A	OA1G10	OA3G01
ABLS1254T	125A	OA1G10	OA3G01
ABLS1604T	160A	OA1G10	OA3G01
ABLS2004T	200A	OA1G10	OA3G01
ABLS2504T	250A	OA1G10	OA3G01



ABLS Optional Extension Boxes

Product Code	Rating	Cable Box	Gasket	Height (mm)	Width (mm)	Depth (mm)
ABLS0634T	63A	MIP4420T	PGZ4020T	400	400	200
ABLS0804T	80A	MIP4420T	PGZ4020T	400	400	200
ABLS1004T	100A	MIP4420T	PGZ4020T	400	400	200
ABLS1254T	125A	MIP4420T	PGZ4020T	400	400	200
ABLS1604T	160A	MIP4420T	PGZ4020T	400	400	200
ABLS2004T	200A	MIP4420T	PGZ4020T	400	400	200
ABLS2504T	250A	MIP4420T	PGZ4020T	400	400	200

For more information please see page 18

ABFS Heavy Duty Rotary Switch Fuses

63A to 800A

Heavy duty 4 pole IP65 metal rotary switch fuses featuring **ABB** technology. Designed and built in the UK to BS EN 61439.



Enclosure Specification

- Sheet steel (EN 10130 DC01)
 - Body : 1.2 / 1.5 mm
 - Door : 1.2 / 1.5 mm
- RAL 7035w powder coating
- Galvanized steel (EN 10346 DX51D+Z)
 - Mounting Plate : 1.5 - 2 mm
- IP66 Rated enclosure (TS 3033, EN 60529)
- IP65 Rated **ABB** handle lockable in the OFF position
- Fully welded construction
- Foamed-in door PU sealing gasket
- Solid top and bottom gland plates with PE gasket
- 5 mm Double-bit insert polyamide lock
- Removable door
- Earth terminals fitted
- Wall mountable
- Extension boxes are available. Please see page 18
- Rain canopies are available. Please see page 19

Switch Specification

- 4 Pole - Switched neutral
- Voltage rating 400/415V AC
- On-load AC23 rated
- *63A uses terminal clamp connections
- 100A+ uses lug terminal connections
- Incoming mains supply from top **OR** bottom
- Supplied with fuses as standard
- Shields provided for incoming & outgoing side as standard
- Supplied with safety handle which can be defeated to allow for emergency opening or for testing purposes (Must be carried out by a competent person)
- More in-depth technical data is available on pages 26-29

Product Code	Rating	Format	Terminal Bolt Size	Terminal Palm Width	Max Cable	Height (mm)	Width (mm)	Depth (mm)
ABFS0634T	63A	4 Pole	N/A *	N/A*	2.5...25 mm ²	400	300	200
ABFS1004T	100A	4 Pole	M8x25 mm	20 mm	N/A	400	300	200
ABFS1254T	125A	4 Pole	M8x25 mm	20 mm	N/A	400	300	200
ABFS1604T	160A	4 Pole	M8x25 mm	20 mm	N/A	600	400	200
ABFS2004T	200A	4 Pole	M8x25 mm	20 mm	N/A	600	400	200
ABFS2504T	250A	4 Pole	M10x25 mm	25 mm	N/A	600	400	200
ABFS3154T	315A	4 Pole	M10x30 mm	25 mm	N/A	700	500	300
ABFS3154XLT	315A	4 Pole	M10x30 mm	25 mm	N/A	1200	600	300
ABFS4004T	400A	4 Pole	M10x30 mm	25 mm	N/A	700	500	300
ABFS4004XLT	400A	4 Pole	M10x30 mm	25 mm	N/A	1200	600	300
ABFS6304T	630A	4 Pole	M12x40 mm	39 mm	N/A	1000	600	300
ABFS6304XLT	630A	4 Pole	M12x40 mm	39 mm	N/A	1200	600	300
ABFS8004T	800A	4 Pole	M12x40 mm	39 mm	N/A	1000	600	300
ABFS8004XLT	800A	4 Pole	M12x40 mm	39 mm	N/A	1200	600	300

ABFS Heavy Duty Rotary Switch Fuses

Accessories



ABFS Optional Shrouds

Product Code	Rating	Shroud Product Code	Qty Req. to Shroud Incoming Side
ABFS0634T	63A	N/A	N/A
ABFS1004T	100A	OSS160GG1L/4	1 (Pack of 4)
ABFS1254T	125A	OSS160GG1L/4	1 (Pack of 4)
ABFS1604T	160A	OSS160GG1L/4	1 (Pack of 4)
ABFS2004T	200A	OSS200G1L/4	1 (Pack of 4)
ABFS2504T	250A	OSS250G1L/4	1 (Pack of 4)
ABFS3154T	315A	OSS400G1L/4	1 (Pack of 4)
ABFS3154XLT	315A	OSS400G1L/4	1 (Pack of 4)
ABFS4004T	400A	OSS400G1L/4	1 (Pack of 4)
ABFS4004XLT	400A	OSS400G1L/4	1 (Pack of 4)
ABFS6304T	630A	OSS800G1L/4	1 (Pack of 4)
ABFS6304XLT	630A	OSS800G1L/4	1 (Pack of 4)
ABFS8004T	800A	OSS800G1L/4	1 (Pack of 4)
ABFS8004XLT	800A	OSS800G1L/4	1 (Pack of 4)



ABFS Auxiliary Contacts

Product Code	Rating	Aux Contacts Normally Open	Aux Contacts Normally Closed
ABFS0634T	63A	OA1G10	OA3G01
ABFS1004T	100A	OA1G10	OA3G01
ABFS1254T	125A	OA1G10	OA3G01
ABFS1604T	160A	OA1G10	OA3G01
ABFS2004T	200A	OA1G10	OA3G01
ABFS2504T	250A	OA1G10	OA3G01
ABFS3154T	315A	OA1G10	OA3G01
ABFS3154XLT	315A	OA1G10	OA3G01
ABFS4004T	400A	OA1G10	OA3G01
ABFS4004XLT	400A	OA1G10	OA3G01
ABFS630T	630A	OA1G10	OA3G01
ABFS6304XLT	630A	OA1G10	OA3G01
ABFS8004T	800A	OA1G10	OA3G01
ABFS8004XLT	800A	OA1G10	OA3G01



ABFS Optional Extension Boxes

Product Code	Rating	Cable Box	Gasket	Height (mm)	Width (mm)	Depth (mm)
ABFS0634T	63A	MIP3320T	PGZ3020T	300	300	200
ABFS1004T	100A	MIP3320T	PGZ3020T	300	300	200
ABFS1254T	125A	MIP3320T	PGZ3020T	400	400	200
ABFS1604T	160A	MIP4420T	PGZ4020T	400	400	200
ABFS2004T	200A	MIP4420T	PGZ4020T	400	400	200
ABFS2504T	250A	MIP4420T	PGZ4020T	400	400	200
ABFS3154T	315A	USE 3154XLT	N/A	N/A	N/A	N/A
ABFS3154XLT	315A	N/A	N/A	N/A	N/A	N/A
ABFS4004T	400A	USE 4004XLT	N/A	N/A	N/A	N/A
ABFS4004XLT	400A	N/A	N/A	N/A	N/A	N/A
ABFS6304T	630A	MIP6630 or XLT	PGZ6030T	600	600	300
ABFS6304XLT	630A	N/A	N/A	N/A	N/A	N/A
ABFS8004T	800A	MIP6630 or XLT	PGZ6030T	600	600	300
ABFS8004XLT	800A	N/A	N/A	N/A	N/A	N/A

For more information please see page 18

ABSCO Heavy Duty Rotary Manual Changeover Switches

63A to 800A

Heavy duty 4 pole IP65 metal rotary changeover switches featuring **ABB** technology. Designed built in the UK to BS EN 61439.



Enclosure Specification

- Sheet steel (EN 10130 DC01)
 - Body : 1.2 / 1.5 mm
 - Door : 1.2 / 1.5 mm
- RAL 7035w powder coating
- Galvanized steel (EN 10346 DX51D+Z)
 - Mounting Plate : 1.5 - 2 mm
- IP66 Rated enclosure (TS 3033, EN 60529)
- IP65 Rated **ABB** handle lockable in the OFF position
- Fully welded construction
- Foamed-in door PU sealing gasket
- Solid top and bottom gland plates with PE gasket
- 5 mm Double-bit insert polyamide lock
- Removable door
- Earth terminals fitted. Wall mountable
- Rain canopies are available. Please see page 19

Switch Specification

- Switched neutral
- 4 Pole
- Voltage rating 400/415V AC
- On-load AC23 rated
- 63-100A uses terminal clamp connections
- 100A+ uses lug terminal connections
- Incoming mains supply from top **OR** bottom
- Shields provided for incoming & outgoing side as standard
- Supplied with safety handle which can be defeated to allow for emergency opening or for testing purposes (Must be carried out by a competent person)
- More in-depth technical data is available on pages 30-34

Product Code	Rating	Format	Terminal Bolt Size	Terminal Palm Width	Max Cable	Height (mm)	Width (mm)	Depth (mm)
ABSCO0634T	63A	4 Pole	N/A *	N/A*	1.5...35 mm ²	400	300	200
ABSCO0804T	80A	4 Pole	N/A *	N/A*	1.5...35 mm ²	400	300	200
ABSCO1004T	100A	4 Pole	N/A *	N/A*	10-70 mm ²	500	400	200
ABSCO1254T	125A	4 Pole	M8x25 mm	20 mm	N/A	600	400	300
ABSCO1254XLT	125A	4 Pole	M8x25 mm	20 mm	N/A	1000	600	300
ABSCO1604T	160A	4 Pole	M8x25 mm	20 mm	N/A	600	400	300
ABSCO1604XLT	160A	4 Pole	M8x25 mm	20 mm	N/A	1000	600	300
ABSCO2004T	200A	4 Pole	M8x25 mm	20 mm	N/A	600	400	300
ABSCO2004XLT	200A	4 Pole	M8x25 mm	20 mm	N/A	1000	600	300
ABSCO2504T	250A	4 Pole	M8x25 mm	20 mm	N/A	600	400	300
ABSCO2504XLT	250A	4 Pole	M8x25 mm	20 mm	N/A	1000	600	300
ABSCO4004T	400A	4 Pole	M10x30 mm	25 mm	N/A	700	500	300
ABSCO4004XLT	400A	4 Pole	M10x30 mm	25 mm	N/A	1200	600	300
ABSCO6304T	630A	4 Pole	M12x40 mm	39 mm	N/A	1000	800	400
ABSCO6304XLT	630A	4 Pole	M12x40 mm	39 mm	N/A	1200	800	400
ABSCO8004T	800A	4 Pole	M12x40 mm	39 mm	N/A	1000	800	400
ABSCO8004XLT	800A	4 Pole	M12x40 mm	39 mm	N/A	1200	800	400

ABSCO Heavy Duty Rotary Manual Changeover Switches

Accessories



ABSCO Optional Shrouds

Product Code	Rating	Shroud Product Code	Qty Req. to Shroud Incoming Side
ABSCO0634T	63A	OTS63T3 + OTS63T1	1 + 1 (Pack of 3 + 1)
ABSCO0804T	80A	OTS63T3 + OTS63T1	1 + 1 (Pack of 3 + 1)
ABSCO1004T	100A	OTS125T3 + OTS125T1	1 + 1 (Pack of 3 + 1)
ABSCO1254T	125A	OTS250G1L/4	1 (Pack of 4)
ABSCO1254XLT	125A	OTS250G1L/4	1 (Pack of 4)
ABSCO1604T	160A	OTS250G1L/4	1 (Pack of 4)
ABSCO1604XLT	160A	OTS250G1L/4	1 (Pack of 4)
ABSCO2004T	200A	OTS250G1L/4	1 (Pack of 4)
ABSCO2004XLT	200A	OTS250G1L/4	1 (Pack of 4)
ABSCO2504T	250A	OTS250G1L/4	1 (Pack of 4)
ABSCO2504XLT	250A	OTS250G1L/4	1 (Pack of 4)
ABSCO4004T	400A	OTS400G1L/4	1 (Pack of 4)
ABSCO4004XLT	400A	OTS400G1L/4	1 (Pack of 4)
ABSCO6304T	630A	OTS800G1L/4	1 (Pack of 4)
ABSCO6304XLT	630A	OTS800G1L/4	1 (Pack of 4)
ABSCO8004T	800A	OTS800G1L/4	1 (Pack of 4)
ABSCO8004XLT	800A	OTS800G1L/4	1 (Pack of 4)



ABSCO Auxiliary Contacts

Product Code	Rating	Aux Contacts Normally Open	Aux Contacts Normally Closed
ABSCO0634T	63A	OA1G10	OA1G01
ABSCO0804T	80A	OA1G10	OA1G01
ABSCO1004T	100A	OA1G10	OA1G01
ABSCO1254T	125A	OA1G10	OA3G01
ABSCO1254XLT	125A	OA1G10	OA3G01
ABSCO1604T	160A	OA1G10	OA3G01
ABSCO1604XLT	160A	OA1G10	OA3G01
ABSCO2004T	200A	OA1G10	OA3G01
ABSCO2004XLT	200A	OA1G10	OA3G01
ABSCO2504T	250A	OA1G10	OA3G01
ABSCO2504XLT	250A	OA1G10	OA3G01
ABSCO4004T	400A	OA1G10	OA3G01
ABSCO4004XLT	400A	OA1G10	OA3G01
ABSCO6304T	630A	OA1G10	OA3G01
ABSCO6304XLT	630A	OA1G10	OA3G01
ABSCO8004T	800A	OA1G10	OA3G01
ABSCO8004XLT	800A	OA1G10	OA3G01

PBB Busbar Chambers

200A to 800A

4 Pole IP4X metal busbar chambers designed and manufactured in the UK to BS EN 61439.



Enclosure Specification

- Mild steel
- RAL 7035 powder coated epoxy resin finish
- Degree of protection IP4X to BSEN 60529
- Blank gland plates top and bottom
- Removable sides to extend the busbar chamber
- Keyhole slots for ease of fixing
- Wall mountable
- Six sizes (Width) to cover most applications

Technical Specification

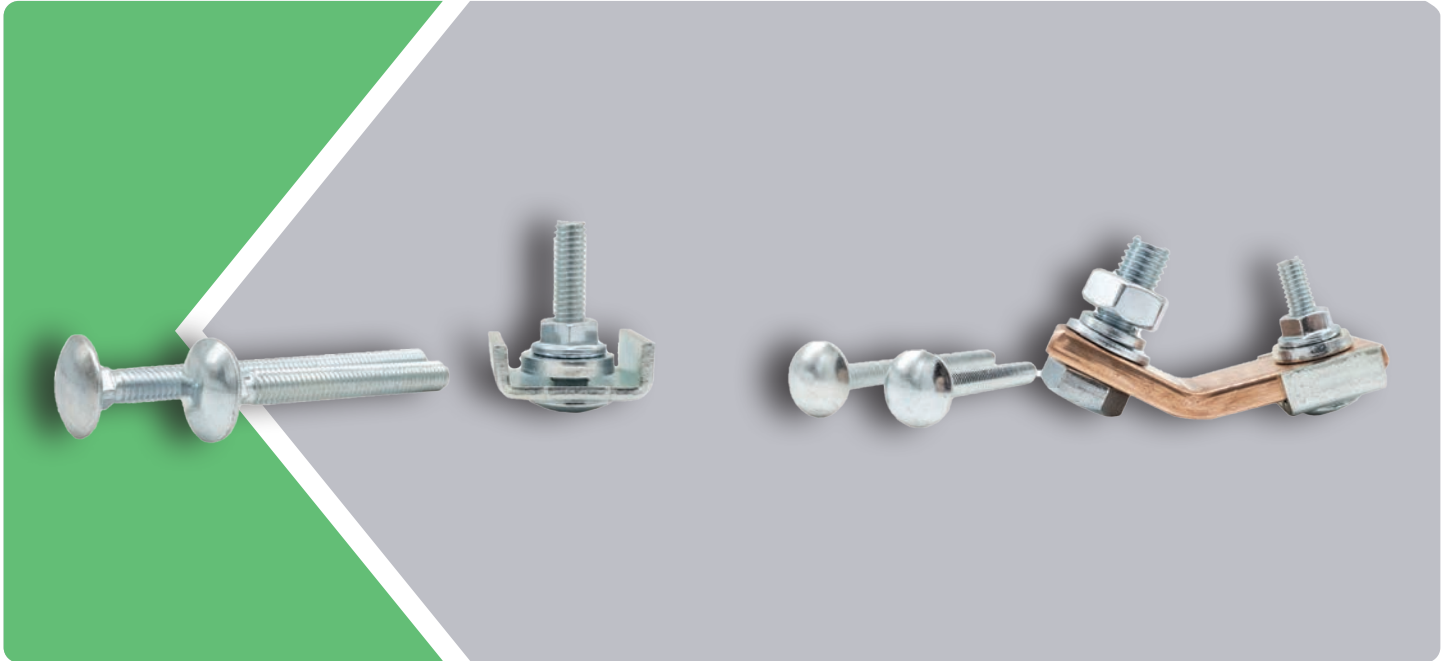
- 4 Pole
- Voltage rating 400/415V AC
- 200, 400, 630 or 800A ratings to cover most applications
- Twin bar design to allow for ease of clamping
- Variety of clamps available from stock

Product Code	Rating	Format	Number of Supports	Height (mm)	Width (mm)	Depth (mm)
PBB20/6	200A	4 Pole	2	380	600	210
PBB20/9	200A	4 Pole	3	380	900	210
PBB20/12	200A	4 Pole	4	380	1200	210
PBB20/15	200A	4 Pole	5	380	1500	210
PBB20/18	200A	4 Pole	6	380	1800	210
PBB20/21	200A	4 Pole	7	380	2100	210
PBB40/6	400A	4 Pole	2	380	600	210
PBB40/9	400A	4 Pole	3	380	900	210
PBB40/12	400A	4 Pole	4	380	1200	210
PBB40/15	400A	4 Pole	5	380	1500	210
PBB40/18	400A	4 Pole	6	380	1800	210
PBB40/21	400A	4 Pole	7	380	2100	210
PBB63/6	630A	4 Pole	2	380	600	210
PBB63/9	630A	4 Pole	3	380	900	210
PBB63/12	630A	4 Pole	4	380	1200	210
PBB63/15	630A	4 Pole	5	380	1500	210
PBB63/18	630A	4 Pole	6	380	1800	210
PBB63/21	630A	4 Pole	7	380	2100	210
PBB80/6	800A	4 Pole	2	380	600	210
PBB80/9	800A	4 Pole	3	380	900	210
PBB80/12	800A	4 Pole	4	380	1200	210
PBB80/15	800A	4 Pole	5	380	1500	210
PBB80/18	800A	4 Pole	6	380	1800	210
PBB80/21	800A	4 Pole	7	380	2100	210

PBCT & DBC Busbar Clamps

Designed to Suit Protek Busbar Chambers

The PBCT & DBC Busbar range of busbar connections are designed to be used with Protek busbar chambers.



Enclosure Specification

- High quality copper connections across most of the range
- Range of sizes to suit most applications
- Designed and assembled in the UK

Product Code	For Use With PBB	Max Cable Size	Connection Bolt Size
PBCT2	200-800	70 mm ²	M8
PBCT3	200-800	240 mm ²	M12
PBCT4	630-800	50 mm ²	M6
PBCT5	200-800	95 mm ²	M10
DBC4-300	400	300 mm	M12
DBC4-400	400	400 mm	M12
DBC6-300	630	300 mm	M12
DBC6-400	630	400 mm	M12
DBC8-300	800	300 mm	M12
DBC8-400	800	400 mm	M12

MIP Extension / Cable Boxes

Designed to Suit Protek Switchgear

IP66 Metal extension / cable boxes to suit Protek switchgear.



Enclosure Specification

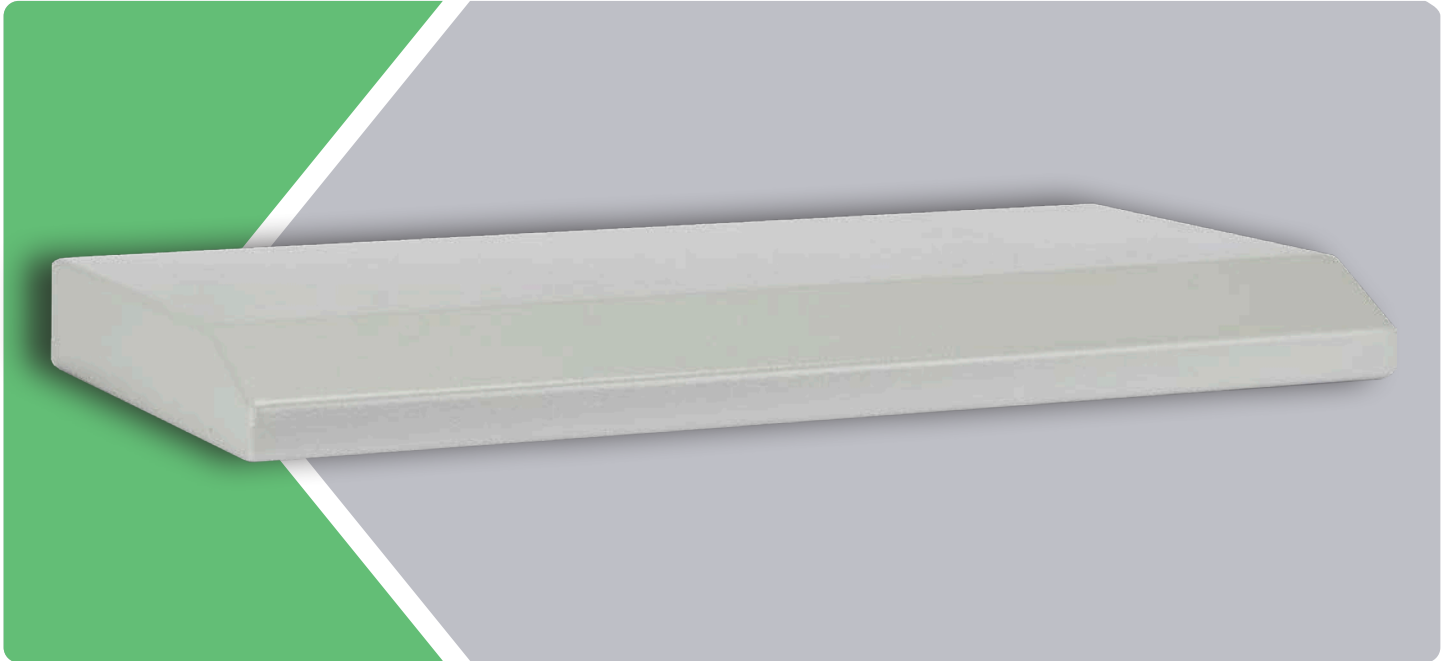
- Sheet steel (EN 10130 DC01)
Body : 1.2 / 1.5 mm
Door : 1.2 / 1.5 mm
- RAL 7035w powder coating
- Galvanized steel (EN 10346 DX51D+Z)
Mounting Plate : 1.5 - 2 mm
- IP66 Rated enclosure (TS 3033, EN 60529)
- Fully welded construction
- Foamed-in door PU sealing gasket
- Solid top and bottom gland plates with PE gasket
- 5 mm Double-bit insert polyamide lock
- Wall mountable
- Rain canopies are available. Please see page 19

Product Code	To Suit ABIS	To Suit ABFS	To Suit ABLS	Height (mm)	Width (mm)	Depth (mm)
MIP3215T	-	-	-	300	200	150
MIP3320T	63, 80, 100, 125	63, 100, 125	-	300	300	200
MIP4320T	63, 80, 100, 125	63, 100, 125	-	400	300	200
MIP5320T	63, 80, 100, 125	63, 100, 125	-	500	300	200
MIP4420T	160, 200, 250, 315, 400	160, 200, 250	63, 100, 125, 160, 200, 250	400	400	200
MIP5420T	160, 200, 250, 315, 400	160, 200, 250	63, 100, 125, 160, 200, 250	500	400	200
MIP6420T	160, 200, 250, 315, 400	160, 200, 250	63, 100, 125, 160, 200, 250	600	400	200
MIP6430T	-	-	-	600	400	300
MIP5520T	-	-	-	500	500	200
MIP7520T	-	-	-	700	500	200
MIP7530T	-	315, 400	-	700	500	300
MIP6630T	630, 800	630, 800	-	600	600	300
MIP8630T	630, 800	630, 800	-	800	600	300
MIP10630T	-	-	-	1000	600	300
MIP12630T	-	-	-	1200	600	300

RC Rain Canopies

Designed to Suit Protek Switchgear & Enclosures

Rain canopies to suit Protek enclosed metal switchgear and enclosures.



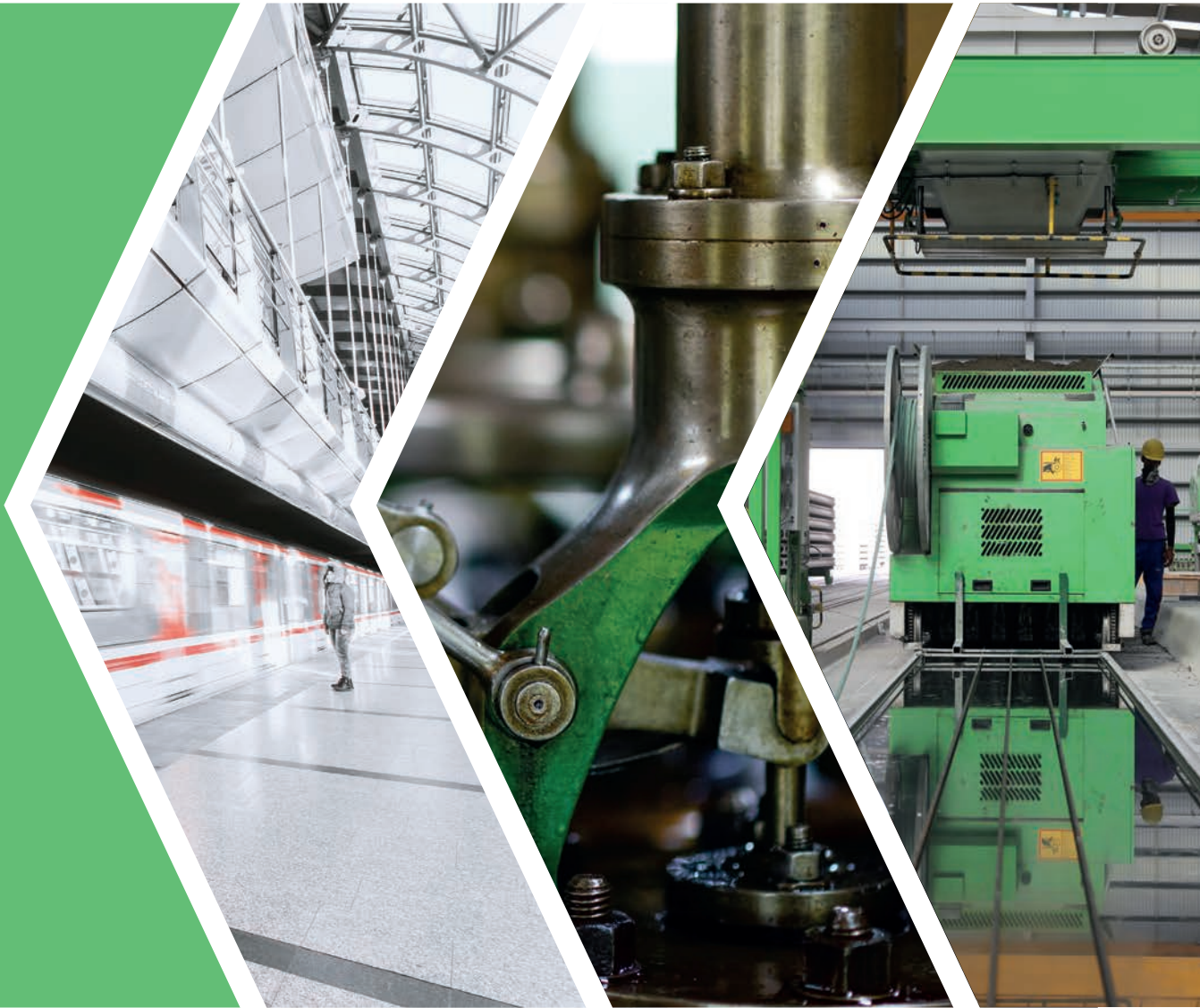
Specification

- Sheet steel (EN 10130 DC01)
- RAL 7035w powder coating
- Galvanized steel (EN10346 DX51D+Z)
- To suit IP66 enclosures and IP65 switchgear
- Fully welded construction
- When used with Protek switchgear, cable entry and exit must be through the bottom of the enclosure. It is the responsibility of the person fitting the equipment to ensure any glanding is correctly prepared

Product Code	To Suit ABIS	To Suit ABFS	To Suit ABLs	To Suit ABSCO	Width (mm)	Depth (mm)
RC3020T	63, 80, 100, 125	63, 100, 125	-	63, 80	300	200
RC4020T	160, 200, 250, 315, 400	160, 200, 250	63, 100, 125, 160, 200, 250	100	400	200
RC5020T	-	315, 400	-	-	500	200
RC6020T	-	-	-	-	600	200
RC4030T	-	-	-	125, 160, 200, 250	400	300
RC5030T	-	315, 400	-	400	500	300
RC6030T	630, 800	315XLT, 400XLT, 630XLT, 800XLT	-	125XLT, 160XLT, 200XLT, 250XLT, 400XLT	600	300
RC8040T	-	-	-	630, 630XLT, 800, 800XLT	800	400

SWITCHGEAR

TECHNICAL INFORMATION



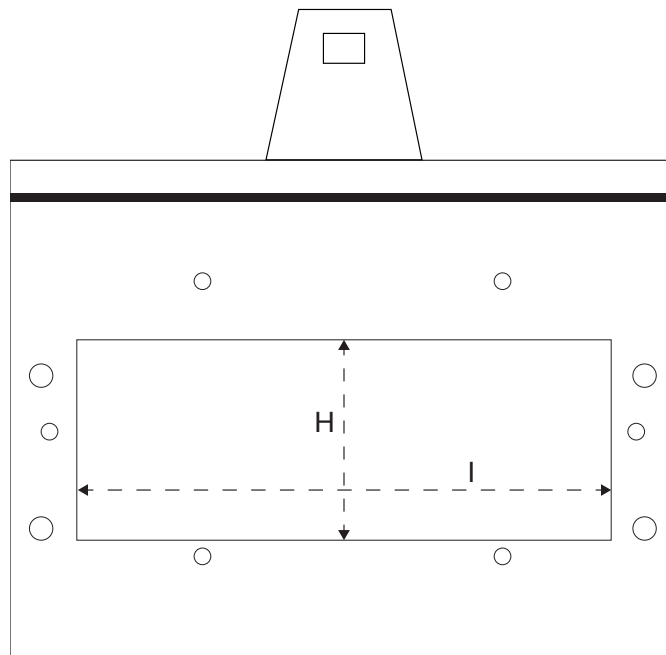
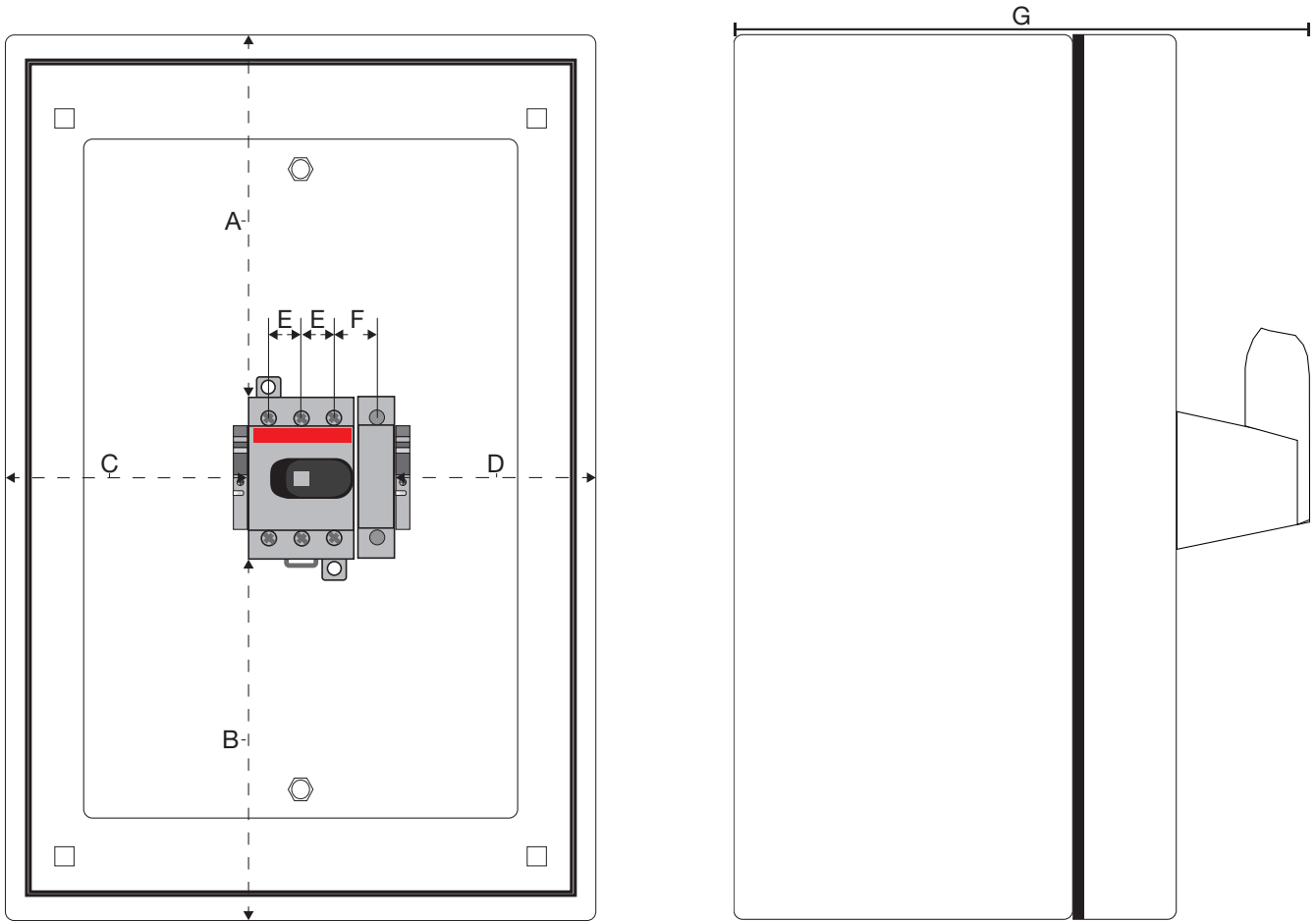
COVERING SWITCHGEAR USING **ABB** SWITCH TECHNOLOGY

Please visit our website for further information on products not included in this section

AABIS Internal Diagram

20A to 100A

Product Code	Height	Width	Depth	A	B	C	D	E	F	G	H	I
AABIS0204T	300	200	150	123	123	82	68	11	13.5	195	60	160
AABIS0324T	300	200	150	123	123	82	68	11	13.5	195	60	160
AABIS0634T	300	200	150	114	114	75	55.5	17.5	17.5	195	60	160
AABIS1004T	300	200	150	100	100	64.5	38.5	22.5	26	195	60	160



AABIS Technical Specification

20A to 100A

Criteria	AABIS0204T	AABIS0324T	AABIS0634T	AABIS1004T
Total product weight	5 kg	5 kg	5 kg	5 kg
Additional fixings	2 x Gland plates 1 x Wall mounting kit 1 x Key	2 x Gland plates 1 x Wall mounting kit 1 x Key	2 x Gland plates 1 x Wall mounting kit 1 x Key	2 x Gland plates 1 x Wall mounting kit 1 x Key

Criteria	AABIS0204T	AABIS0324T	AABIS0634T	AABIS1004T
Rated insulation voltage and rated operational voltage AC20/DC20	Pollution degree 3	750 V	750 V	750 V
Dielectric strength	50 Hz 1 min.	6 kV	6 kV	6 kV
Rated impulse withstand voltage		8 kV	8 kV	8 kV
Rated thermal current and rated operational current AC20/DC20	Ambient 40 °C ²⁾ In open air	32 A	40 A	63 A
	Ambient 40 °C ²⁾ In enclosure	32 A	40 A	63 A
	Ambient 60 °C In enclosure	25 A	32 A	50 A
...with minimum conductor cross section	Cu	6 mm ²	10 mm ²	16 mm ²
Rated operational current, AC-21A	up to 415 V	25 A	40 A	63 A
	440...690 V	25 A	40 A	63 A
Rated operational current, AC-22A	up to 415 V	25 A	40 A	63 A
	440...690 V	25 A	40 A	63 A
Rated operational current, AC-23A	up to 415 V	20 A	23 A	63 A
	440 V	20 A	23 A	63 A
	500 V	20 A	23 A	45 A
	690 V	20 A	23 A	45 A
Rated operational current / poles in series, DC-21A	24...48 V ¹⁾	25 A/1	32 A/1	63 A/1
	110 V	25 A/2	32 A/2	63 A/2
	220 V	25 A/3	32 A/3	63 A/4
	440 V	16 A/4	16 A/4	16 A/4
	500 V	16 A/4	16 A/4	16 A/4
	750 V	25 A/8	32 A/8	-
Rated operational current / poles in series, DC-22A	24...48 V ¹⁾	25 A/1	32 A/1	63 A/1
	110 V	25 A/2	32 A/2	63 A/2
	220 V	25 A/3	32 A/4	45 A/4
	440 V	10 A/4	10 A/4	10 A/4
	500 V	10 A/4	10 A/4	10 A/4
	750 V	25 A/8	25 A/8	-
Rated operational current / poles in series, DC-23A	24...48 V ¹⁾	25 A/1	32 A/1	63 A/1
	110 V	25 A/2	32 A/2	63 A/2
	220 V	25 A/4	32 A/4	45 A/4
	440 V	10 A/4	10 A/4	10 A/4
	500 V	10 A/4	10 A/4	10 A/4
	750 V	16 A/8	16 A/8	-
Rated operational power, AC-23A (These values are given for guidance and may vary acc. to the motor manufacturer)	220...240 V	4 kW	5.5 kW	11 kW
	400...415 V	9 kW	11 kW	22 kW
	440...500 V	9 kW	11 kW	22 kW
	690 V	9 kW	11 kW	15 kW
	up to 415 V	160 A	184 A	360 A
Rated breaking capacity, AC-23A	440 V	160 A	184 A	360 A
	500 V	160 A	184 A	360 A
	690 V	88 A	96 A	160 A
	24...48 V	100 A/1	128 A/1	180 A/1
	110 V	100 A/2	128 A/2	180 A/2
Rated breaking capacity / poles in series, DC-23A	220 V	100 A/4	128 A/4	180 A/4
	440 V	40 A/4	40 A/4	40 A/4
	500 V	40 A/4	40 A/4	40 A/4
	750 V	64 A/8	64 A/8	-
	220...240 V	4 kW	5.5 kW	11 kW
Rated conditional short-circuit current I _q (r.m.s.) and corresponding max. Allowed cut-off current I _c of fuse.	I _q 50kA, ≤415V Max. OFA_fuse size	I _c gG/aM	6.5 kA 40 A/32 A	6.5 kA 40 A/32 A
	I _q 100kA, 500V Max. OFA_fuse size	I _c gG/aM	- -	- -
	I _q 10kA, 690V Max. OFA_fuse size	I _c gG/aM	- -	- -
	I _q 50kA, 690V Max. OFA_fuse size	I _c gG/aM	4 kA 25 A/16 A	4 kA 25 A/16 A
The cut-off current I _c refers to values listed by fuse manufacturers (single phase test acc. To IEC60269)				
Rated short-time withstand current	r.m.s. -value I _{cw}	690 V, 1 s	0.5 kA	0.5 kA
Rated short circuit making capacity	Peak value I _{cm}	690 V/500 V	0.71 kA	0.71 kA
Rated capacitor power (Capacitor ratings limited by the fuse link.)		400...415 V	10 kVAr	15 kVAr
Power loss/pole	At rated operational current		0.6 W	1.6 W
Mechanical endurance	Divide by two for operation cycles		20 000 Oper.	20 000 Oper.
Cable size	Cu-wire size suitable for terminal clamps		0.75...10 mm ² 18-8 AWG	0.75...10 mm ² 18-8 AWG
Terminal tightening torque	Counter torque required		0.8 Nm	0.8 Nm
Operating torque	4-pole switch-disconnector		1 Nm	1 Nm

¹⁾ Below 48 V, two poles in parallel up to and including 63A are recommended particularly in polluted atmosphere.

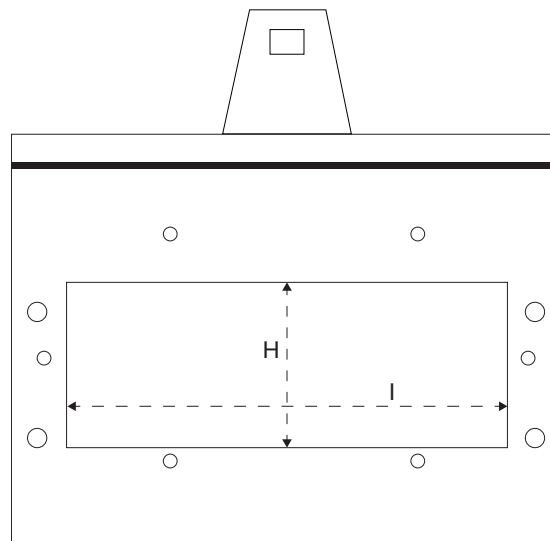
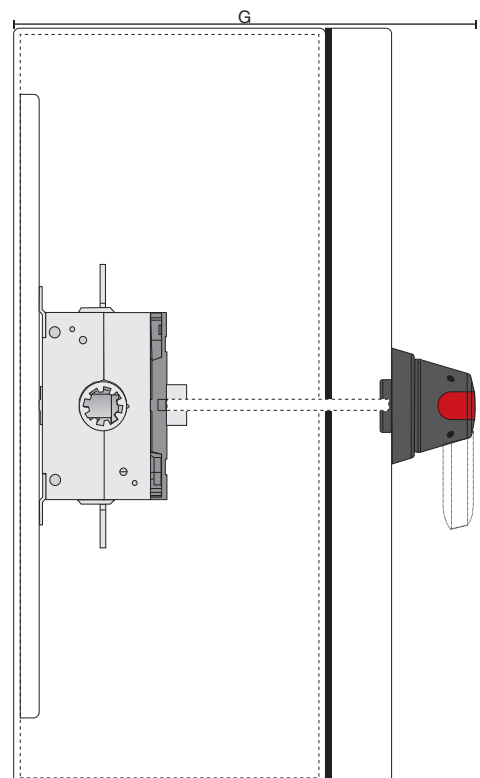
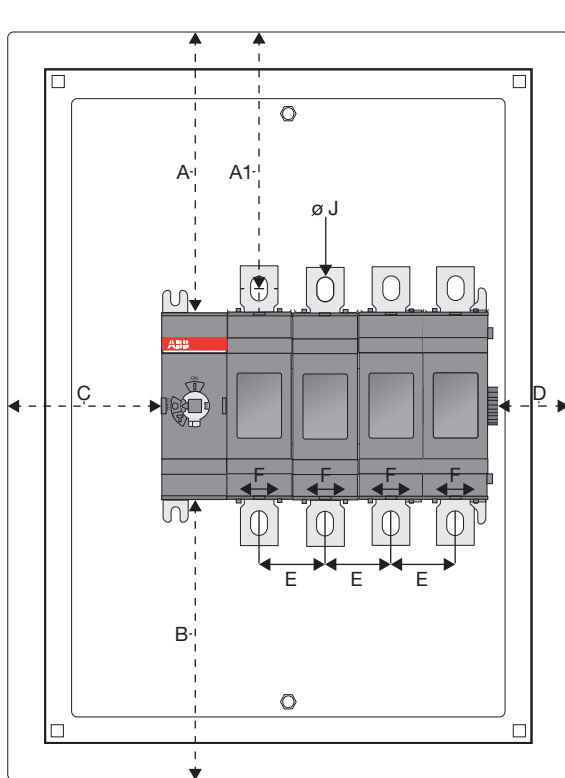
²⁾ Acc. to IEC 60947-1, § 6.1.1.

Technical specifications supplied by ABB and correct as of 06/10/2022. These specifications are subject to change without notice.
All dimensions are approx and correct as of 06/10/2022. Dimensions are subject to change without notice.

ABIS Internal Diagram

63A to 800A

Product Code	Height	Width	Depth	A	A1	B	C	D	E	F	G	H	I	J
ABIS0634T	400	300	200	150	187	150	82	37.5	35	20	245	110	260	9
ABIS0804T	400	300	200	150	187	150	82	37.5	35	20	245	110	260	9
ABIS1004T	400	300	200	150	187	150	82	37.5	35	20	245	110	260	9
ABIS1254T	500	300	200	200	187	200	82	37.5	35	20	245	110	260	9
ABIS1604T	500	400	200	200	187	200	82	137.5	35	20	245	110	360	9
ABIS2004T	500	400	200	200	187	200	82	137.5	35	20	245	110	360	9
ABIS2504T	500	400	200	200	187	200	82	137.5	35	20	245	110	360	9
ABIS3154T	600	400	200	240	222.5	240	75	90	44	25	245	110	360	11
ABIS4004T	600	400	200	240	222.5	240	75	90	44	25	245	110	360	11
ABIS6304T	800	600	300	320	298	320	148	121	65	39	345	194	560	13.5
ABIS8004T	1000	600	300	420	398	420	148	121	65	39	345	194	560	13.5



ABIS Technical Specification

63A to 160A

Criteria	ABIS0634T	ABIS0804T	ABIS1004T	ABIS1254T	ABIS1604T
Total product weight	11 kg	11 kg	11 kg	12.5 kg	13.5 kg
Additional fixings	2 x Gland plates 1 x Wall mounting kit 1 x Key	2 x Gland plates 1 x Wall mounting kit 1 x Key	2 x Gland plates 1 x Wall mounting kit 1 x Key	2 x Gland plates 1 x Wall mounting kit 1 x Key	2 x Gland plates 1 x Wall mounting kit 1 x Key

Criteria		ABIS0634T	ABIS0804T	ABIS1004T	ABIS1254T	ABIS1604T	
Rated insulation voltage & rated operational voltage AC-20,DC-20	Pollution degree 3		1 000 V	1 000 V	1 000 V	1 000 V	
Dielectric strength		50 Hz 1 min.	10 kV	10 kV	10 kV	10 kV	
Rated impulse withstand voltage			12 kV	12 kV	12 kV	12 kV	
Rated thermal current and rated operational current AC-20, DC-20	In open air		80 A	100 A	125 A	160 A	
in ambient 40 °C ⁴⁾	In enclosure		63 A	80 A	100 A	125 A	
...with minimum cable cross section		Cu	70 mm ²	70 mm ²	70 mm ²	70 mm ²	
Rated operational current, AC-21A		≤ 500 V	80 A	100 A	125 A	160 A	
		690 V	63 A	80 A	100 A	125 A	
		1000 V	63 A	80 A	100 A	125 A	
Rated operational current, AC-22A		≤ 500 V	80 A	100 A	125 A	160 A	
		690 V	63 A	80 A	100 A	125 A	
		1000 V	63 A	80 A	100 A	125 A	
Rated operational current, AC-23A		≤ 500 V	63 A	80 A	100 A	125 A	
		690 V	63 A	80 A	100 A	125 A	
		1000 V	54 A	68 A	85 A	135 A	
Rated operational current / poles in series, DC-21A ¹⁾		24...110 V	63 A/2	80 A/2	100 A/2	125 A/2	
		220 V	63 A/2	80 A/2	100 A/2	125 A/2	
		440 V	63 A/3	80 A/3	100 A/3	125 A/3	
		660 V	63 A/4	80 A/4	100 A/4	125 A/4	
Rated operational current / poles in series, DC-21B		800 V	63 A/5	80 A/5	100 A/5	125 A/5	
		1000 V	63 A/6	80 A/6	100 A/6	125 A/6	
		230 V	48 kW	48 kW	48 kW	48 kW	
Rated operational power, AC-23 ³⁾		400 V	80 kW	80 kW	80 kW	80 kW	
		415 V	88 kW	88 kW	88 kW	88 kW	
		500 V	112 kW	112 kW	112 kW	112 kW	
		690 V	144 kW	144 kW	144 kW	144 kW	
Rated breaking capacity in category AC-23		≤ 500 V	1 280 A	1 280 A	1 280 A	1 280 A	
		690 V	1 280 A	1 280 A	1 280 A	1 280 A	
		I _c	40.5 kA	40.5 kA	40.5 kA	40.5 kA	
Rated conditional short-circuit current I _q (r.m.s.) and corresponding max. allowed cut-off current I _c .	I _q 100kA, 500V Max. OFA_fuse size	gG/aM	315 A/315 A	315 A/315 A	315 A/315 A	315 A/315 A	
		I _c	40.5 kA	40.5 kA	40.5 kA	40.5 kA	
		gG/aM	355 A/315 A	355 A/315 A	355 A/315 A	355 A/315 A	
The cut-off current I _c refers to values listed by fuse manufacturers (single phase test acc. to IEC60269)	I _q 80kA, 690V Max. OFA_fuse size	gG/aM	250A/250A	250A/250A	250A/250A	250A/250A	
		I _q 100kA, 690V Max. fuse size	gG/aM	250A/250A	250A/250A	250A/250A	250A/250A
		gG/aM	250A/250A	250A/250A	250A/250A	250A/250A	
Rated short-time withstand current	r.m.s. value I _{cw}	≤ 1000 V 0.15 s	15 kA	15 kA	15 kA	15 kA	
		≤ 1000 V 0.25 s	15 kA	15 kA	15 kA	15 kA	
		≤ 1000 V 1 s	8 kA	8 kA	8 kA	8 kA	
Rated short-circuit making capacity	Peak value I _{cm}	≤ 1000 V	30 kA	30 kA	30 kA	30 kA	
Rated capacitor power when no initial charge on the capacitor	The capacitor ratings are limited by the fuse links	415 V	80 kVAr	80 kVAr	80 kVAr	80 kVAr	
		500 V	96 kVAr	96 kVAr	96 kVAr	96 kVAr	
		690 V	128 kVAr	128 kVAr	128 kVAr	128 kVAr	
Power loss / pole	With rated current		3.2 W	3.2 W	3.2 W	3.2 W	
Mechanical endurance	Divide by two for oper. cycles		20 000 Oper.	20 000 Oper.	20 000 Oper.	20 000 Oper.	
Terminal bolt size	Metric thread diameter x length		M8x25 mm	M8x25 mm	M8x25 mm	M8x25 mm	
Terminal tightening torque	Counter torque required		15-22 Nm	15-22 Nm	15-22 Nm	15-22 Nm	
Operating torque	4-pole switch disconnecter		7 Nm	7 Nm	7 Nm	7 Nm	

¹⁾ Further ratings on request.

²⁾ Category B.

³⁾ These values are given for guidance and may vary acc. to the motor manufacturer.

⁴⁾ Acc. to IEC 60947-1, § 6.1.1.

Technical specifications supplied by ABB and correct as of 06/10/2022. These specifications are subject to change without notice.
All dimensions are approx and correct as of 06/10/2022. Dimensions are subject to change without notice.

ABIS Technical Specification

200A to 800A

Criteria	ABIS2004T	ABIS2504T	ABIS3154T	ABIS4004T	ABIS6304T	ABIS8004T
Total product weight	13.5 kg	13.5 kg	15 kg	16.5 kg	36 kg	42 kg
Additional fixings	2 x Gland plates 1 x Wall mounting kit 1 x Key	2 x Gland plates 1 x Wall mounting kit 1 x Key	2 x Gland plates 1 x Wall mounting kit 1 x Key	2 x Gland plates 1 x Wall mounting kit 1 x Key	2 x Gland plates 1 x Wall mounting kit 1 x Key	2 x Gland plates 1 x Wall mounting kit 1 x Key

Criteria		ABIS2004T	ABIS2504T	ABIS3154T	ABIS4004T	ABIS6304T	ABIS8004T
Rated insulation voltage and rated operational voltage AC-20, DC-20	Pollution degree 3		1 000 V	1 000 V	1 000 V	V 1 000	1 000 V
Dielectric strength		50 Hz 1 min.	10 kV	10 kV	10 kV	10 kV	10 kV
Rated impulse withstand voltage			12 kV	12 kV	12 kV	12 kV	12 kV
Rated thermal current and rated operational current AC-20, DC-20	In open air		200 A	250 A	315 A	400 A	630 A
in ambient 40 °C⁴⁾	In enclosure		200 A	250 A	315 A	400 A	630 A
...with minimum cable cross section		Cu	95 mm ²	120 mm ²	185 mm ²	240 mm ²	2x185 mm ²
Rated operational current, AC-21A		≤ 500 V	200 A	250 A	315 A	400 A	630 A
		690 V	200 A	250 A	315 A	400 A	630 A
		1000 V	200 A	250 A	315 A	400 A	630 A
Rated operational current, AC-22A		≤ 500 V	200 A	250 A	315 A	400 A	630 A
		690 V	200 A	250 A	315 A	400 A	630 A
		1000 V	200 A	250 A	315 A	400 A	630 A
Rated operational current, AC-23A		≤ 500 V	200 A	250 A	315 A	400 A	630 A
		690 V	200 A	250 A	315 A	400 A	630 A
		1000 V	135 A	135 A	200 A	200 A	400 A
Rated operational current / poles in series, DC-21A¹⁾		24...110 V	200 A/2	250 A/2	315 A/1 ²⁾	400 A/1 ²⁾	630 A/1
		220 V	200 A/2	250 A/2	315 A/2 ²⁾	400 A/2 ²⁾	630 A/1
		440 V	200 A/3	250 A/3	315 A/3	360 A/3	630 A/2
		660 V	200 A/4	230 A/4 ²⁾	315 A/4	360 A/4	630 A/4 ²⁾
Rated operational current / poles in series, DC-21B		800 V	200 A/5	250 A/5	315 A/5	400 A/5	600 A/5
		1000 V	200 A/6	250 A/6	315 A/6	400 A/6	600 A/6
		230 V	60 kW	75 kW	100 kW	132 kW	200 kW
Rated operational power, AC-23³⁾		400 V	110 kW	140 kW	160 kW	220 kW	355 kW
		415 V	110 kW	145 kW	180 kW	230 kW	355 kW
		500 V	132 kW	170 kW	220 kW	280 kW	400 kW
		690 V	200 kW	250 kW	315 kW	400 kW	630 kW
		≤ 500 V	1 600 A	2 000 A	2 520 A	3 200 A	5 040 A
Rated breaking capacity in category AC-23		690 V	1 600 A	2 000 A	2 520 A	3 200 A	5 040 A
		230 V	60 kW	75 kW	100 kW	132 kW	200 kW
Rated conditional short-circuit current I_q (r.m.s.) and corresponding max. allowed cut-off current I_c. The cut-off current I_c refers to values listed by fuse manufacturers (single phase test acc. to IEC60269)	I _q 100kA, 500V Max. OFA_fuse size	Ī _c	40.5 kA	40.5 kA	61.5 kA	61.5 kA	90 kA
		gG/aM	315 A/315 A	315 A/315 A	500 A/450 A	500 A/450 A	800 A/1 000 A
	I _q 80kA, 690V Max. OFA_fuse size	Ī _c	40.5 kA	40.5 kA	59 kA	59 kA	83.5 kA
		gG/aM	355 A/315 A	355 A/315 A	500 A/500 A	500 A/500 A	800 A/1 000 A
Rated short-time withstand current	I _q 100kA, 690V Max. fuse size	gG/aM	250A/250A	250A/250A	-/400A	-/400A	-/630A
		≤ 1000 V 0.15 s	15 kA	15 kA	31 kA	31 kA	38 kA
		≤ 1000 V 0.25 s	15 kA	15 kA	24 kA	24 kA	36 kA
Rated short-circuit making capacity		≤ 1000 V 1 s	8 kA	8 kA	15 kA	15 kA	20 kA
		Peak value I _{cm}	30 kA	30 kA	65 kA	65 kA	80 kA
		≤ 1000 V	30 kA	30 kA	65 kA	65 kA	80 kA
Rated capacitor power when no initial charge on the capacitor		The capacitor ratings are limited by the fuse links	415 V	100 kVAr	115 kVAr	145 kVAr	180 kVAr
			500 V	120 kVAr	135 kVAr	175 kVAr	215 kVAr
			690 V	160 kVAr	190 kVAr	250 kVAr	325 kVAr
Power loss / pole	With rated current		4 W	6.5 W	6.5 W	10 W	25 W
Mechanical endurance	Divide by two for oper. cycles		20 000 Oper.	20 000 Oper.	16 000 Oper.	16 000 Oper.	10 000 Oper.
Terminal bolt size	Metric thread diameter x length		M8x25 mm	M8x25 mm	M10x30 mm	M10x30 mm	M12x40 mm
Terminal tightening torque	Counter torque required		15-22 Nm	15-22 Nm	30-44 Nm	30-44 Nm	50-75 Nm
Operating torque	4-pole switch disconnecter		7 Nm	7 Nm	16 Nm	16 Nm	27 Nm

¹⁾ Further ratings on request.

²⁾ Category B.

³⁾ These values are given for guidance and may vary acc. to the motor manufacturer.

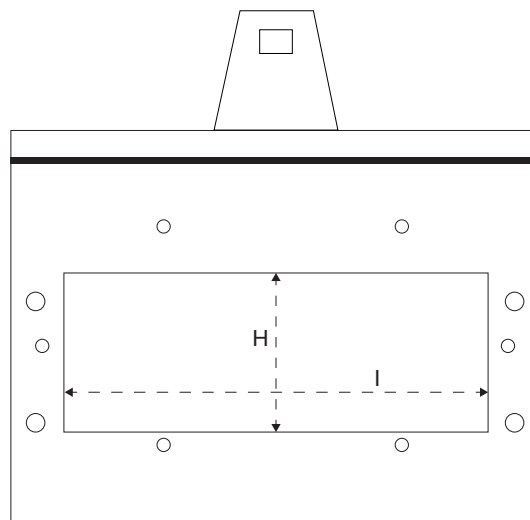
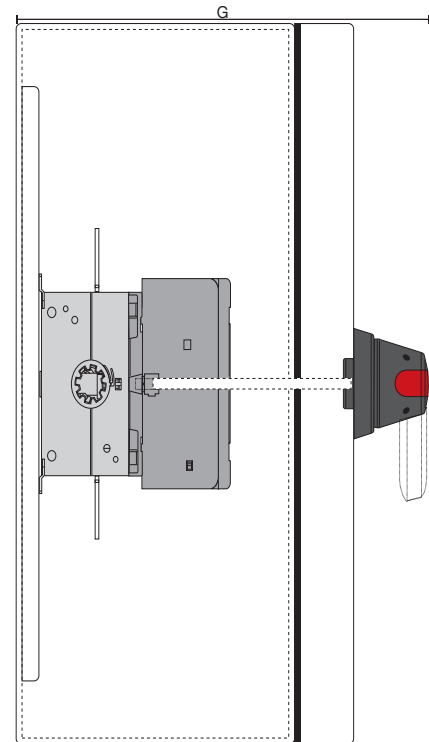
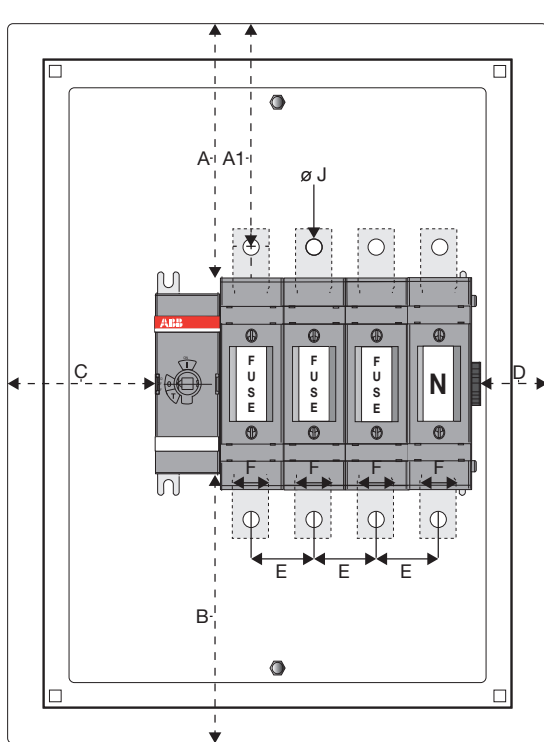
⁴⁾ Acc. to IEC 60947-1, § 6.1.1.

Technical specifications supplied by ABB and correct as of 06/10/2022. These specifications are subject to change without notice.
All dimensions are approx and correct as of 06/10/2022. Dimensions are subject to change without notice.

ABFS Internal Diagram

63A to 800A XLT

Product Code	Height	Width	Depth	A	A1	B	C	D	E	F	G	H	I	J
ABFS0634T*	400	300	200	150	N/A	150	82	82.5	23.5	N/A	245	110	260	N/A
ABFS1004T	400	300	200	141	122.25	141	82	36.5	35	20	245	110	260	9
ABFS1254T	400	300	200	141	122.25	141	82	36.5	35	20	245	110	260	9
ABFS1604T	500	400	200	191	175	191	82	136.5	35	20	245	110	360	9
ABFS2004T	600	400	200	227.75	213.45	227.35	82	98	43.5	20	245	110	360	9
ABFS2504T	600	400	200	225.75	217	225.75	82	56.5	54	25	245	110	360	12.5
ABFS3154T	700	500	300	253	249.75	253	95	86	64	25	345	194	460	12.5
ABFS3154XLT	1200	600	300	503	498	503	155	126	64	25	345	194	560	12.5
ABFS4004T	700	500	300	253	249.75	253	95	86	64	25	345	194	460	12.5
ABFS4004XLT	1200	600	300	503	498	503	155	126	64	25	345	194	560	12.5
ABFS6304T	1000	600	300	385	370	385	98	71	88	39	345	194	560	13.5
ABFS6304XLT	1200	600	300	485	470	485	98	71	88	39	345	194	560	13.5
ABFS8004T	1000	600	300	385	370	385	98	71	88	39	345	194	560	13.5
ABFS8004XLT	1200	600	300	485	470	485	98	71	88	39	345	194	560	13.5



ABFS Technical Specification

63A to 160A

Criteria	ABFS0634T	ABFS1004T	ABFS1254T	ABFS1604T
Total product weight	9.5 kg	10.5 kg	10.6 kg	14.5 kg
Additional fixings	2 x Gland plates 1 x Wall mounting kit 1 x Key	2 x Gland plates 1 x Wall mounting kit 1 x Key	2 x Gland plates 1 x Wall mounting kit 1 x Key	2 x Gland plates 1 x Wall mounting kit 1 x Key
Supplied fuses	BS88 63A	BS88 100A	BS88 125A	BS88 160A

Criteria	ABFS0634T	ABFS1004T	ABFS1254T	ABFS1604T
Rated insulation voltage	1000 V	1000 V	1000 V	1000 V
Dielectric strength	10 kV	10 kV	10 kV	10 kV
Rated impulse withstand voltage	12 kV	8 kV	8 kV	8 kV
Rated thermal current in ambient 35 °C and temporarily 40 °C ¹⁾ / max. fuse power dissipation	63 A/7.5 W	100 A/12 W	125 A/12 W	160 A/12 W
...with minimum cable cross section	16 mm ²	50 mm ²	50 mm ²	70 mm ²
Power loss / pole	4 W	4 W	5 W	9 W
Derating, mounting on wall horizontal fuses	0 %	0 %	0 %	0 %
Derating, mounting on ceiling	5 %	5 %	5 %	5 %
Derating at 60°C	10 %	10 %	10 %	10 %
Rated operational voltage AC-20 and DC-20	1000 V	1000 V	1000 V	1000 V
Rated operational current, AC-21A	up to 500 V 690 V	63 A 100 A	100 A 125 A	160 A 160 A
Rated operational current, AC-22A	up to 500 V 690 V	63 A 100 A	100 A 125 A	160 A 160 A
Rated operational current, AC-23A	up to 500 V 690 V	63 A 100 A	100 A 125 A	160 A 160 A
Rated operational current / poles in series DC-21A	48 V 110-220 V 440 V	63 A/2 63 A/2* 50 A/4*	100 A/2 100 A/2* 100 A/4*	125 A/2 125 A/2* 125 A/4*
Rated operational current / poles in series DC-22A	48 V 110-220 V	63 A/2 63 A/2*	100 A/2 100 A/2*	125 A/2 125 A/2*
Rated operational current / poles in series DC-23A	48 V 110-220 V	63 A/2 63 A/2*	100 A/2 100 A/2*	125 A/2 125 A/2*
Rated operational power, AC-23 ²⁾	The kW-ratings are accurate for three-phase 1500 R.P.M. standard asynchronous motors.	230 V 400 V 415 V 500 V 690 V	18.5 kW 30 kW 30 kW 37 kW 55 kW	30 kW 55 kW 55 kW 75 kW 90 kW
Rated breaking capacity in category AC-23	≤ 690 V	504 A	1280 A	1280 A
Rated breaking capacity / poles in series in category DC-23	up to 220 V	252 A/2	640 A/2	640 A/2
Rated conditional short-circuit current I_q (r.m.s.) and corresponding max. allowed cut-off current of fuse I_c	q 80 kA, 415 V q 100 kA, 500 V q 50 kA, 690 V	Max allowed I _c Max OFA ₁ fuse size gG/aM 13.5 kA 80/63 A	23.5 kA 160/160 A 25.5 kA 160/160 A	23.5 kA 160/160 A 25.5 kA 160/160 A
The cut-off current I_c refers to values listed by fuse manufacturers (single phase test acc. to IEC60269).	q 80 kA, 690 V q 50 kA, 415 V q 80 kA, 415 V	Max allowed I _c Max OFA ₁ fuse size gG/aM 11.5 kA 50/50 A	20.5 kA 125/160 A 18 kA 160/100M160 A	20.5 kA 125/160 A 18 kA 160/100M160 A
Rated short-time withstand current, 1 s.	r.m.s. -value	10 kA Max BS fuse size gG/gM 63/63M80 A	19.5 kA 160/100M125 A	19.5 kA 160/100M125 A
Rated capacitor power when no initial charge on the capacitor	The capacitor rating of the switch-fuse is limited by the fuse link.	400 V 415 V 690 V	25 kVAr 32 kVAr 50 kVAr	40 kVAr 42 kVAr 75 kVAr
Mechanical endurance	Divide by two for operation cycles	20 000 Oper.	20 000 Oper.	16 000 Oper.
Fuse types, IEC 60269-2	DIN 43620 NFC 63210, 63211 BS 88-2, -6	000 ⁶⁾	22x58	000,00 ⁶⁾⁷⁾
Cable size	Cu	A2-A3 ³⁾	A2-A4 ⁴⁾	A2-A4 ⁴⁾
Terminal tightening torque	Counter torque required	M5/73 mm	M5/73 mm	M5/73 mm
Fuse-links bolts tightening torque		M8/94 mm	M8/94 mm	M8/94 mm
Operating torque	Typical for 4-pole switch fuses	2.5...25 Nm ⁵⁾	15-22 Nm	15-22 Nm
		3.5 Nm	M5:3.5 Nm M8:5 Nm	M5:3.5 Nm M8:5 Nm
		5 Nm	7 Nm	7 Nm

* = Utilization category B.

¹⁾ Acc. to IEC 60947-1, § 6.1.1. Minimum ambient temperature -5°C. Category B: -5°C...-35°C.

²⁾ Some fuse links limit these figures further. Starting current characteristics must be considered separately.

³⁾ Max. fuse body diam. 22 mm.

⁴⁾ Max. fuse body diam. 32 mm.

⁵⁾ 3 Nm with cable sizes 2.5...6 mm², 4 Nm with cable sizes 10...25 mm².

⁶⁾ Max. allowed knife dimension h is 15 mm.

⁷⁾ For solid link size 00 the a dimension must be min. 80.0 mm.

Technical specifications supplied by ABB and correct as of 06/10/2022. These specifications are subject to change without notice.
All dimensions are approx and correct as of 06/10/2022. Dimensions are subject to change without notice.

ABFS Technical Specification

200A to 400A XLT

Criteria	ABFS2004T	ABFS2504T	ABFS3154T	ABFS3154XLT	ABFS4004T	ABFS4004XLT
Total product weight	13.5 kg	13.5 kg	30.5 kg	49.5 kg	30.5 kg	49.5 kg
Additional fixings	2 x Gland plates 1 x Wall mounting kit 1 x Key	2 x Gland plates 1 x Wall mounting kit 1 x Key	2 x Gland plates 1 x Wall mounting kit 1 x Key	2 x Gland plates 1 x Wall mounting kit 1 x Key	2 x Gland plates 1 x Wall mounting kit 1 x Key	2 x Gland plates 1 x Wall mounting kit 1 x Key
Supplied fuses	BS88 200A	BS88 250A	BS88 315A	BS88 315A	BS88 400A	BS88 400A

Criteria	ABFS2004T	ABFS2504T	ABFS3154T ABFS3154XLT	ABFS4004T ABFS4004XLT
Rated insulation voltage and rated operational voltage AC-20 and DC-20	50 Hz 1min.	1000 V	1000 V	1000 V
Dielectric strength	Pollution degree 3	10 kV	10 kV	10 kV
Rated impulse withstand voltage		12 kV	12 kV	12 kV
Rated thermal current in ambient 35 °C and temporarily 40 °C¹⁾ / max. fuse power dissipation	In open air	200 A/17 W	250 A/23 W	315 A/32 W
	In enclosure	200 A/15 W	250 A/20 W	315 A/32 W
...with minimum cable cross section	Cu	95 mm ²	120 mm ²	185 mm ²
Derating, mounting on wall horizontal fuses	In open air or ventilated enclosure	0 %	0 %	0 %
	Totally enclosed	5 %	5 %	5 %
Derating, mounting on ceiling		10 %	10 %	10 %
Derating at 60 °C	In open air / in enclosure	20/20 %	20/20 %	20/20 %
Power loss / pole	With rated current, without fuse	8 W	13 W	19 W
Rated operational current AC-22B		≤ 415 V		
Rated operational current AC-21A		≤ 500 V 690 V	200 A 250 A	315 A 400 A
Rated operational current AC-22A		≤ 415 V 500 V 690 V	200 A 250 A 250 A	315 A 400 A 400 A
Rated operational current AC-23A		≤ 415 V 500 V 690 V	200 A 250 A 250 A	315 A 400 A 400 A
Rated operational current / poles in series DC-21A, DC-22A and DC-23A		≤ 220 V 440 V 660 V 750 V 880 V	200 A/1 250 A/2 250 A/3 230 A/4 230 A/4	315 A/2 315 A/3* 315 A/4* 315 A/4*
Rated operational power AC-23³⁾		230 V 400 V 415 V 500 V 690 V	60 kW 110 kW 145 kW 170 kW 200 kW	100 kW 140 kW 180 kW 220 kW 315 kW
Rated breaking capacity AC-23		≤ 690 V	1600 A 2000 A	3200 A 3200 A
Rated conditional short-circuit current I_q (r.m.s.) and corresponding max. allowed cut-off current of fuse I_c	I _q 80 kA, 415 V	Max. allowed I _c Max. OFA_ fuse size gG/aM	35 kA 250/200 A	40.5 kA 355/315 A
	I _q 100 kA, 500 V	Max. allowed I _c Max. OFA_ fuse size gG/aM	37.5 kA 250/200 A	37.5 kA 250/250 A
	I _q 80 kA, 690 V	Max. allowed I _c Max. OFA_ fuse size gG/aM	25 kA 250/250 A ⁸⁾	32.5 kA 250/250 A
The cut-off current I_c refers to values listed by fuse manufacturers (single phase test acc. to IEC60269).	I _q 100 kA, 690 V	Max. allowed I _c Max. SIBA NH fuse size gG/aM		200/200 A
	I _q 50 kA, 415 V	Max. allowed I _c Max. BS fuse size gG/gM	28 kA 200/200M315	28 kA 250/200M315
	I _q 80 kA, 690 V	Max. allowed I _c Max. BS fuse size gG/gM	28 kA 250/200M250 A	28 kA 250/200M250 A
Rated short-time withstand current, 1s.	r.m.s. -value Max. distance from switch frame to nearest busbar/cable support		8 kA 150 mm	8 kA 150 mm
Rated capacitor power when no initial charge of the capacitor	The capacitor ratings of the switch-fuses are limited by the fuse links		400 V 415 V 500 V 690 V	90 kVAr 105 kVAr 105 kVAr 145 kVAr 160 kVAr 175 kVAr 190 kVAr 250 kVAr
Mechanical endurance	Divide by two for operation cycles		20 000 Oper.	20 000 Oper.
Fuse types, IEC 60269-2	DIN 43620		0 ⁶⁾	0-1 ⁶⁾
	BS 88-2, -6		B1-B2	B1-B3 ⁴⁾
	Size / distance of fuse-link bolts		M6/111 mm	M8/111 mm
Terminal tightening torque	Counter torque required		15-22 Nm	30-44 Nm
Fuse-links bolts tightening torque			4 Nm	5 Nm
Operating torque	Typical for 4-pole switch fuses		7 Nm	7 Nm

* = Utilization category B.

¹⁾ Acc. to IEC 60957-2, IEC 60947-1, § 6.1.1. Minimum ambient temperature -5°C.
Category B: -5°C...-35°C.

²⁾ Utilization category DC21-B.

³⁾ These values are given for guidance and may vary acc. to the motor manufacturer.

⁴⁾ Max. fuse body diam 52 mm.

⁵⁾ Max. fuse body diam 62 mm.

⁶⁾ Max. allowed knife dimension h is 21 mm

⁷⁾ Max. allowed knife dimension h is 27 mm

⁸⁾ OS2000DZ_ 200/250 A

Technical specifications supplied by ABB and correct as of 06/10/2022. These specifications are subject to change without notice.
All dimensions are approx and correct as of 06/10/2022. Dimensions are subject to change without notice.

ABFS Technical Specification

630A to 800A XLT

Criteria	ABFS6304T	ABFS6304XLT	ABFS8004T	ABFS8004XLT
Total product weight	52 kg	56.5 kg	52 kg	56.5 kg
Additional fixings	2 x Gland plates 1 x Wall mounting kit 1 x Key	2 x Gland plates 1 x Wall mounting kit 1 x Key	2 x Gland plates 1 x Wall mounting kit 1 x Key	2 x Gland plates 1 x Wall mounting kit 1 x Key
Supplied fuses	BS88 630A	BS88 630A	BS88 800A	BS88 800A

Criteria	ABFS6304T ABFS6304XLT	ABFS8004T ABFS8004XLT
Rated insulation voltage and rated operational voltage AC-20 and DC-20	50 Hz 1min.	1000 V
Dielectric strength	Pollution degree 3	10 kV
Rated impulse withstand voltage		12 kV
Rated thermal current in ambient 35 °C and temporarily in 40 °C ¹⁾ / max. fuse power dissipation	In open air	630 A/60 W
	In enclosure	570 A/50 W
...with minimum cable cross section	Cu	2 x 240 mm ²
Derating, mounting on wall horizontal fuses	In open air or ventilated enclosure	0 %
	Totally enclosed	5 %
Derating, mounting on 'ceiling'		10 %
Derating at 60 °C	In open air / in enclosure	20/20 %
Power loss / pole	With rated current, without fuse	46 W
Rated operational current AC-21A	≤ 500 V	630 A
	690 V	630 A
Rated operational current AC-22A	≤ 415 V	630 A
	500 V	630 A
Rated operational current AC-23A	690 V	630 A
	≤ 415 V	630 A
Rated operational current / poles in series DC-21A, DC-22A and DC-23A	500 V	630 A
	690 V	630 A
Rated operational power AC-23 ³⁾	≤ 220 V	630 A/1*
	440 V	630 A/2*
Rated breaking capacity AC-23	660 V	630 A/3*
	750 V	630 A/4*
Rated conditional short circuit current I _q (r.m.s.) and corresponding max. allowed cut-off current of fuse I _c	880 V	630 A/4*
	230 V	200 kW
The cut-off current I _c refers to values listed by fuse manufacturers (single phase test acc. to IEC60269)	400 V	355 kW
	415 V	355 kW
Rated short-time withstand current, 1s.	500 V	450 kW
	690 V	630 kW
Rated capacitor power when no initial charge of the capacitor	≤ 690 V	6400 A
	I _q 80 kA, 415 V	77 kA
Mechanical endurance	I _q 100 kA, 500 V	800/800 A
	DIN 43620	2-3 ⁴⁾
Fuse types, IEC 60269-2	BS 88-2, 6	C1-C3
	Size / distance of fuse-link bolts	M10/133, 184 mm
Terminal tightening torque	Counter torque required	50-75 Nm
Fuse-links bolts tightening torque		M10:30 Nm M12:40 Nm
Operating torque	Typical for 4-pole switch fuses	38 Nm

* = Utilization category B.

1) Acc. to IEC 60957-2, IEC 60947-1, § 6.1.1. Minimum ambient temperature -5°C. Category B: -5°C...-35°C.

2) Category B.

3) These values are given for guidance and may vary acc. to the motor manufacturer.

4) Max. allowed knife dimension h is 35 mm

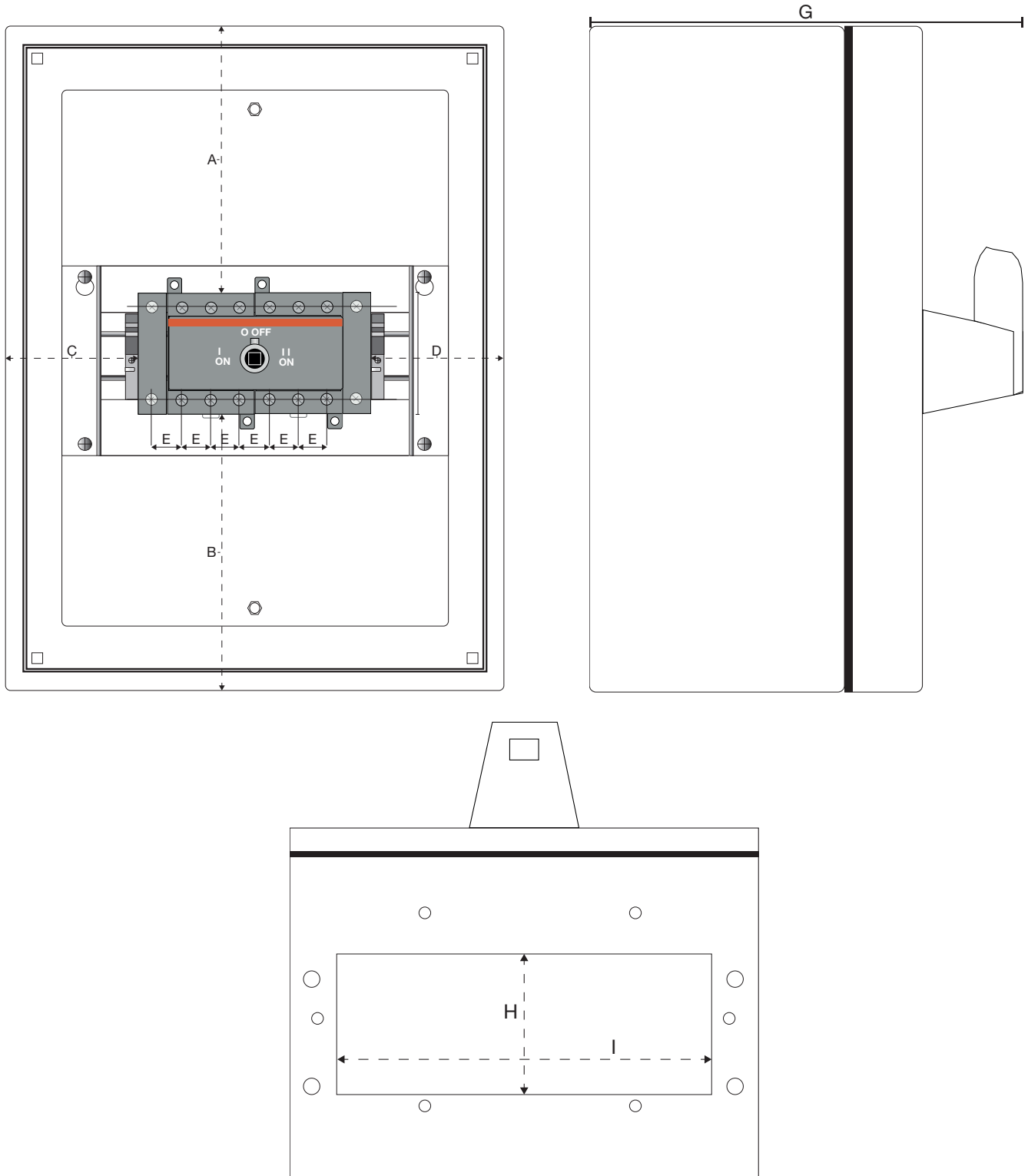
5) For 2-pole switches max BS fuse gG 1000 A

Technical specifications supplied by ABB and correct as of 06/10/2022. These specifications are subject to change without notice.
All dimensions are approx and correct as of 06/10/2022. Dimensions are subject to change without notice.

ABSCO Internal Diagram

63A to 100A

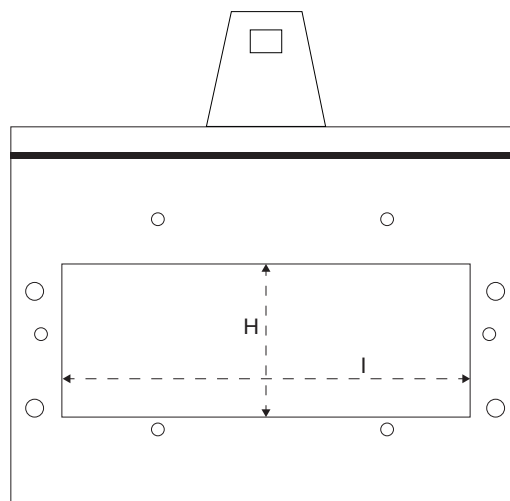
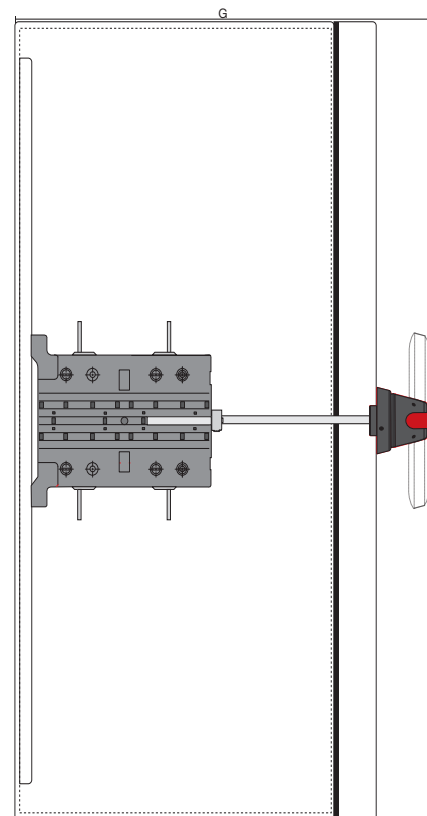
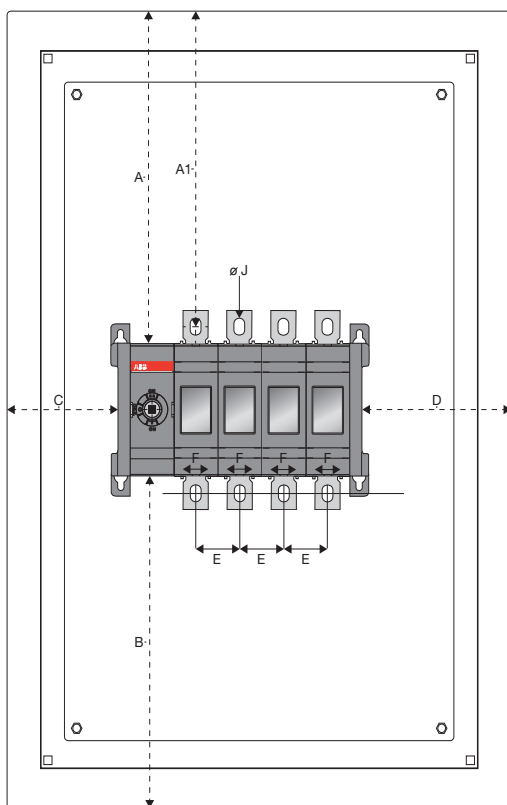
Product Code	Height	Width	Depth	A	B	C	D	E	G	H	I
ABSCO0634T	400	300	200	164	164	80	80	17.5	245	110	260
ABSCO0804T	400	300	200	164	164	80	80	17.5	245	110	260
ABSCO1004T	500	400	300	200	200	103.5	103.5	22.5	245	110	360



ABSCO Internal Diagram

125A to 800A XLT

Product Code	Height	Width	Depth	A	A1	B	C	D	E	F	G	H	I	J
ABSCO1254T	600	400	300	250	237	250	88	117	35	20	345	194	360	9
ABSCO1254XLT	1000	600	300	450	437	450	203	192	35	20	345	194	560	9
ABSCO1604T	600	400	300	250	237	250	88	117	35	20	345	194	360	9
ABSCO1604XLT	1000	600	300	450	437	450	203	192	35	20	345	194	560	9
ABSCO2004T	600	400	300	250	237	250	88	117	35	20	345	194	360	9
ABSCO2004XLT	1000	600	300	450	437	450	203	192	35	20	345	194	560	9
ABSCO2504T	600	400	300	250	237	250	88	117	35	20	345	194	360	9
ABSCO2504XLT	1000	600	300	450	437	450	213	192	35	20	345	194	560	9
ABSCO4004T	700	500	300	290	272.5	290	126	126.5	44	25	345	194	460	11
ABSCO4004XLT	1200	600	300	540	522.5	540	176	176.5	44	25	345	194	560	11
ABSCO6304T	1000	800	400	420	398	420	213.5	231.5	65	39	445	194	760	13.5
ABSCO6304XLT	1200	800	400	520	498	520	213.5	231.5	65	39	445	194	760	13.5
ABSCO8004T	1000	800	400	420	398	420	213.5	231.5	65	39	445	194	760	13.5
ABSCO8004XLT	1200	800	400	520	498	520	213.5	231.5	65	39	445	194	760	13.5



ABSCO Technical Specification

63A to 100A

Criteria	ABSCO0634T	ABSCO0804T	ABSCO1004T
Total product weight	8.5 kg	8.5 kg	12.5 kg
Additional fixings	2 x Gland plates 1 x Wall mounting kit 1 x Key	2 x Gland plates 1 x Wall mounting kit 1 x Key	2 x Gland plates 1 x Wall mounting kit 1 x Key

Criteria	ABSCO0634T	ABSCO0804T	ABSCO1004T			
Rated insulation voltage and rated operational voltage AC20/DC20	Pollution degree 3	V	750	750	750	
Dielectric strength	50 Hz 1min.	kV	6	6	6	
Rated impulse withstand voltage		kV	8	8	8	
Rated thermal current and rated operational current AC20/DC20	/ ambient 40°C	In open air	A	63	80	115
	/ ambient 40°C	In enclosure	A	63	80	115
	/ ambient 60°C	In enclosure	A	50	63	80
..with minimum conductor cross section	Cu	mm ²	16	25	35	
Rated operational current, AC-21A	up to 500 V	A	63	80	100	
	690 V	A	63	80	100	
Rated operational current, AC-22A	up to 500 V	A	63	80	100	
	690 V	A	63	80	100	
Rated operational current, AC-23A	up to 415 V	A	63	75	80	
	440 V	A	63	65	65	
	500 V	A	45	58	60	
	690 V	A	20	20	40	
Rated operational current / poles in series, DC-21A	up to 48 V ¹⁾	A	63/1	80/1	100/1	
	110 V	A	63/2	80/2	100/2	
	220 V	A	63/4	63/4	100/4	
	500 V	A	16/4	16/4	-	
Rated operational current / poles in series, DC-22A	up to 48 V ¹⁾	A	63/1	80/1	100/1	
	110 V	A	63/2	80/2	100/2	
	220 V	A	45/4	45/4	63/4	
	440 V	A	10/4	10/4	-	
Rated operational current / poles in series, DC-23A	up to 48 V ¹⁾	A	63/1	80/1	100/1	
	110 V	A	63/2	80/2	100/2	
	220 V	A	45/4	45/4	63/4	
	440 V	A	10/4	10/4	-	
Rated operational power, AC-23A ²⁾ The kW-ratings are accurate for 3-phase 1500 R.P.M. standard asynchronous motors	230 V	kW	11	22	22	
	400...500 V	kW	22	37	37	
	690 V	kW	15	18.5	37	
Rated breaking capacity in category AC-23	up to 415 V	A	360	640	640	
	500 V	A	360	464	480	
	690 V	A	160	160	320	
Rated conditional short-circuit current I _p (r.m.s.) and corresponding max. allowed cut-off current I _c (peak) value. The cut-off current I _c refers to values listed by fuse manufacturers (single phase test acc. to IEC60269).	I _p (r.m.s.) 50 kA, 415 V Max. OFA ₂ fuse size	I _c (peak) gG/aM	kA A/A	13 100/80	13 100/80	16.5 125/125
	I _p (r.m.s.) 100 kA, 500 V Max. OFA ₂ fuse size	I _c (peak) gG/aM	kA A	17 100/80	17 100/80	- -
	I _p (r.m.s.) 100 kA, 500 V Max. OFA ₂ fuse size	I _c (peak) gG/aM	kA A	17 100/80	17 100/80	- -
Rated short-time withstand current	I _{cw} (r.m.s.)	690 V 1s	kA	1.5	1.5	2.5
Rated short-time making capacity ³⁾	I _{cm} (peak)	690 V	kA	1.4	2.1	3.6
Power loss / pole	With rated current		W	2.8	4.5	4.0
Mechanical endurance	Number of oper. cycles ⁴⁾		Cycles	10 000	10 000	10 000
Cable size	Cu-wire size suitable for terminal clamps		mm ²	1.5-35	1.5-35	10-70
			AWG	14-4	14-4	8-00
Terminal tightening torque	Counter torque required		Nm	2	2	6
Operating torque	Typical for 4-pole switches		Nm	1.2	1.2	2

¹⁾ Below 48 V, two poles in parallel up to OT80 are recommended particularly in polluted atmosphere

²⁾ These values are given for guidance and may vary according to the motor manufacturer

³⁾ Short circuit duration >50ms, without fuse protection

⁴⁾ Operating cycle: O - I - O - II - O

ABSCO Technical Specification

125A to 250A XLT

Criteria	ABSCO1254T	ABSCO1254XLT	ABSCO1604T	ABSCO1604XLT	ABSCO2004T	ABSCO2004XLT	ABSCO2504T	ABSCO2504XLT
Product weight	19 kg	38.5kg	19 kg	38.5kg	19 kg	38.5kg	19 kg	38.5kg
Additional fixings	Wall mounting kit 2 x Gland plates 1 x Key	Wall mounting kit 2 x Gland plates 1 x Key	Wall mounting kit 2 x Gland plates 1 x Key	Wall mounting kit 2 x Gland plates 1 x Key	Wall mounting kit 2 x Gland plates 1 x Key	Wall mounting kit 2 x Gland plates 1 x Key	Wall mounting kit 2 x Gland plates 1 x Key	Wall mounting kit 2 x Gland plates 1 x Key

Criteria			ABSCO1254T ABSCO1254XLT	ABSCO1604T ABSCO1604XLT	ABSCO2004T ABSCO2004XLT	ABSCO2504T ABSCO2504XLT	
Rated insulation voltage and rated operational voltage AC20/DC20	Pollution degree 3	V	1 000	1 000	1 000	1 000	
Dielectric strength	50 Hz 1min.	kV	10	10	10	10	
Rated impulse withstand voltage		kV	12	12	12	12	
Rated thermal current and rated operational current AC20/DC20	/ ambient 40°C	In open air	A	125	160	200	250
	/ ambient 40°C	In enclosure	A	125	160	200	250
...with minimum conductor cross section		Cu	mm ²	70	70	95	120
Rated operational current, AC-21A	up to 500 V	A	125	160	200	250	
	690 V	A	125	160	200	250	
Rated operational current, AC-22A	up to 500 V	A	125	160	200	250	
	690 V	A	125	160	200	250	
Rated operational current, AC-23A	up to 500 V	A	125	160	200	250	
	690 V	A	125	160	200	250	
Rated operational current / poles in series, DC-21A ⁹⁾	≤ 110 V	A	125/2	160/2	200/2	250/2	
	220 V	A	125/2	160/2	200/2	250/2	
	440 V	A	125/3	160/3	200/3	230/3	
	660 V	A	125/4	160/4	200/4	200/4	
Rated operational power, AC-23A ²⁾ The kW-ratings are accurate for 3-phase 1500 R.P.M. standard asynchronous motors	230 V	kW	45	45	60	75	
	400 V	kW	90	90	110	140	
	415 V	kW	90	90	110	145	
	500 V	kW	110	110	132	170	
	690 V	kW	125	160	200	250	
Rated breaking capacity in category AC-23	up to 500 V	A	1 280	1 280	1 600	2 000	
	690 V	A	1 280	1 280	1 600	2 000	
Rated conditional short-circuit current I_p (r.m.s.) and cut-off current I_c (peak) value. The cut-off current I_c refers to values listed by fuse manufacturers (single phase test acc. to IEC60269).	I _p (r.m.s.) 80 kA, 415 V	I _c (peak)	kA	40.5	40.5	40.5	40.5
	Max. OFA_fuse size	gG/aM	A/A	355/315	355/315	355/315	355/315
	I _p (r.m.s.) 100 kA, 500 V	I _c (peak)	kA	40.5	40.5	40.5	40.5
	Max. OFA_fuse size	gG/aM	A	315/315	315/315	315/315	315/315
Rated short-time withstand current	I _p (r.m.s.) 80 kA, 690 V	I _c (peak)	kA	40.5	40.5	40.5	40.5
	Max. OFA_fuse size	gG/aM	A	355/315	355/315	355/315	355/315
	I _{cw} (r.m.s.)	690 V 0.15s	kA	15	15	15	15
		690 V 0.25s	kA	15	15	15	15
Rated short-time making capacity ³⁾		690 V 1s	kA	8	8	8	8
	I _{cm} (peak) ⁴⁾	690 V	kA	30	30	30	30
Power loss / pole	With rated current	W	3.2	3.2	4	6.5	
Mechanical endurance	Number of oper. cycles ⁵⁾	Cycles	8 000	8 000	8 000	8 000	
Terminal bolt size	Metric thread diameter x length	mm	M8x25	M8x25	M8x25	M8x25	
Terminal tightening torque	Counter torque required	Nm	15-22	15-22	15-22	15-22	
Operating torque	4-pole change-over switches	Nm	7	7	7	7	

¹⁾ Utilization category B

²⁾ These values are given for guidance and may vary acc. to the motor manufacturer

³⁾ Short circuit duration > 50ms, without fuse protection

⁴⁾ Max. distance from switch frame to nearest busbar / cable support 150 mm

⁵⁾ Operating cycle: O - I - O - II - O

⁶⁾ Further ratings on request

1000 V ratings on request

ABSCO Technical Specification

400A to 800A XLT

Criteria	ABSCO4004T	ABSCO4004XLT	ABSCO6304T	ABSCO630XLT	ABSCO8004T	ABSCO8004XLT
Product weight	24.5 kg	24.5 kg	65 kg	73 kg	65 kg	73 kg
Additional fixings	Wall mounting kit 2 x Gland plates 1 x Key	Wall mounting kit 2 x Gland plates 1 x Key	Wall mounting kit 2 x Gland plates 1 x Key	Wall mounting kit 2 x Gland plates 1 x Key	Wall mounting kit 2 x Gland plates 1 x Key	Wall mounting kit 2 x Gland plates 1 x Key

Criteria	ABSCO4004T ABSCO4004XLT	ABSCO6304T ABSCO6304XLT	ABSCO8004T ABSCO8004XLT	
Rated insulation voltage and rated operational voltage AC20/DC20	Pollution degree 3	V	1 000	
Dielectric strength	50 Hz 1min.	kV	10	
Rated impulse withstand voltage		kV	12	
Rated thermal current and rated operational current AC20/DC20	/ ambient 40°C	In open air	A	
	/ ambient 40°C	In enclosure	A	
...with minimum conductor cross section		Cu	mm ²	
Rated operational current, AC-21A	up to 500 V	A	400	
	690 V	A	400	
Rated operational current, AC-22A	up to 500 V	A	400	
	690 V	A	400	
Rated operational current, AC-23A	up to 500 V	A	400	
	690 V	A	400	
Rated operational current / poles in series, DC-21A ¹⁾	≤ 110 V	A	400/1 ¹⁾	
	220 V	A	400/2 ¹⁾	
	440 V	A	360/3	
	660 V	A	315/4	
				630/4 ¹⁾
Rated operational power, AC-23A ²⁾ The kW-ratings are accurate for 3-phase 1500 R.P.M. standard asynchronous motors	230 V	kW	132	
	400 V	kW	220	
	415 V	kW	230	
	500 V	kW	280	
	690 V	kW	400	
Rated breaking capacity in category AC-23	up to 500 V	A	3 200	
	690 V	A	3 200	
Rated conditional short-circuit current I_p (r.m.s.) and cut-off current I_c (peak) value. The cut-off current I_c refers to values listed by fuse manufacturers (single phase test acc. to IEC60269).	I _p (r.m.s.) 80 kA, 415 V	I _c (peak)	kA	
	Max. OFA_fuse size	gG/aM	A/A	
	I _p (r.m.s.) 100 kA, 500 V	I _c (peak)	kA	59
	Max. OFA_fuse size	gG/aM	A	500/500
	I _p (r.m.s.) 80 kA, 690 V	I _c (peak)	kA	61.5
Rated short-time withstand current	I _{cw} (r.m.s.)		kA	
	690 V 0.15s	kA	31	
	690 V 0.25s	kA	24	
	690 V 1s	kA	15	
Rated short-time making capacity ³⁾	I _{cm} (peak) ⁴⁾	690 V	kA	
Power loss / pole	With rated current		W	
Mechanical endurance	Number of oper. cycles ⁵⁾		Cycles	
Terminal bolt size	Metric thread diameter x length		mm	
Terminal tightening torque	Counter torque required		Nm	
Operating torque	4-pole change-over switches		Nm	

¹⁾ Utilization category B

²⁾ These values are given for guidance and may vary acc. to the motor manufacturer

³⁾ Short circuit duration > 50ms, without fuse protection

⁴⁾ Max. distance from switch frame to nearest busbar / cable support 150 mm

⁵⁾ Operating cycle: O - I - O - II - O

⁶⁾ Further ratings on request

1000 V ratings on request

Technical specifications supplied by ABB and correct as of 06/10/2022. These specifications are subject to change without notice.
All dimensions are approx and correct as of 06/10/2022. Dimensions are subject to change without notice.

DID YOU KNOW WE ALSO SUPPLY...



Protek Electronics Limited

Phoenix House, Phoenix Road, Hawkes Green, Cannock, Staffordshire, WS11 7LR
 Tel: 01543 467575 Fax: 01543 462370 Email: sales@protekuk.co.uk Web: www.protekuk.co.uk